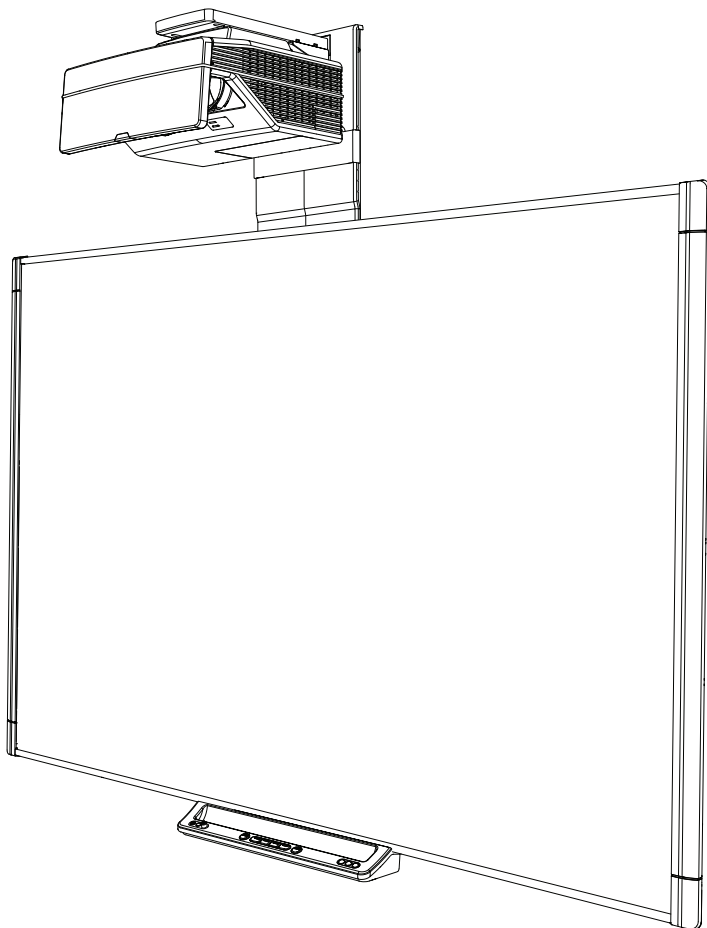


SBM685ix2

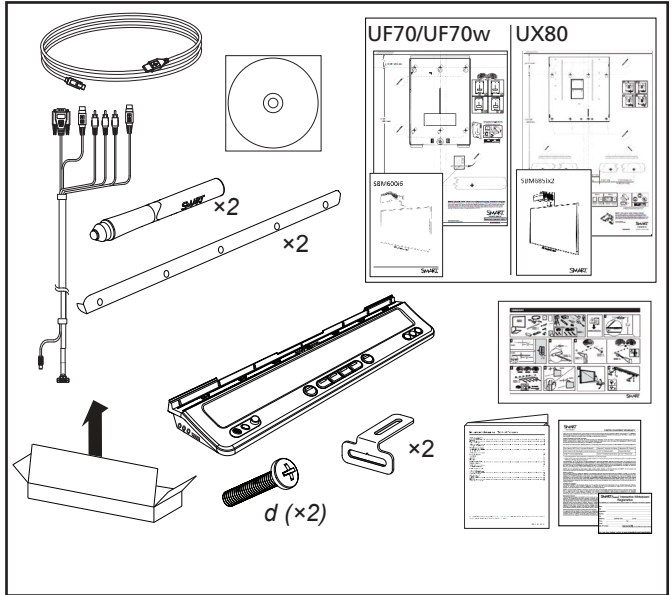
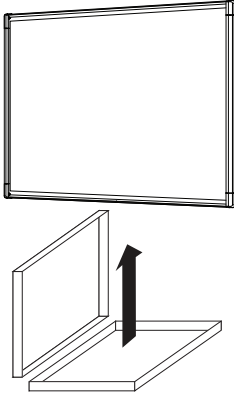


SMART[®]

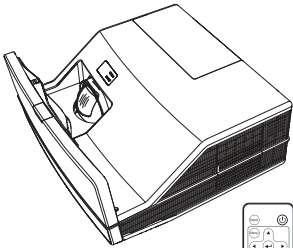


smarttech.com/kb/170411
smarttech.com/kb/170556

SBM685



UX80



CR-2025



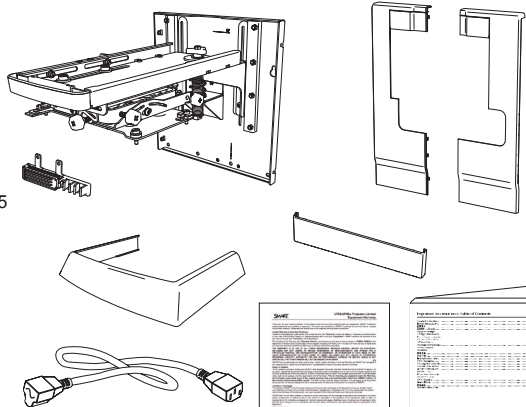
a (x4)

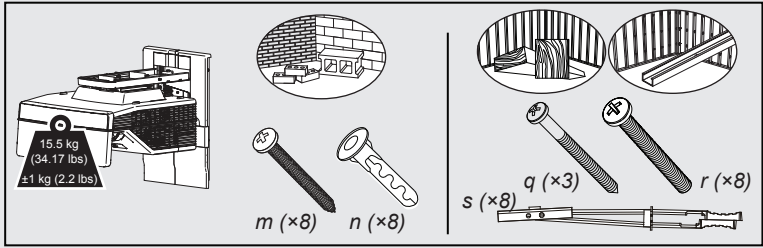
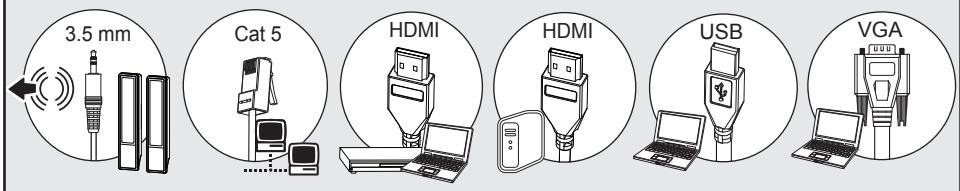


b (x2)

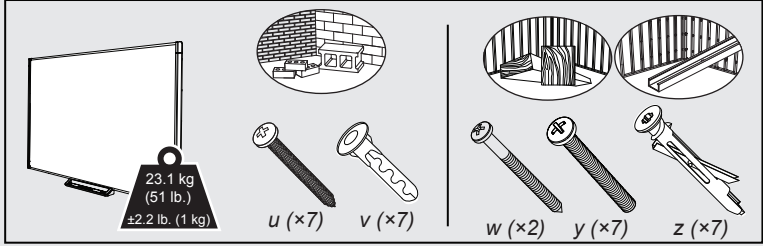


c (x2)



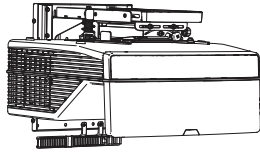


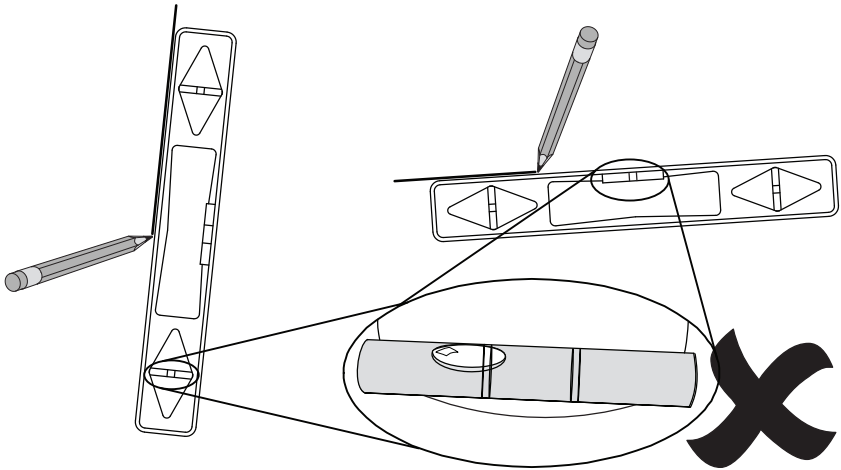
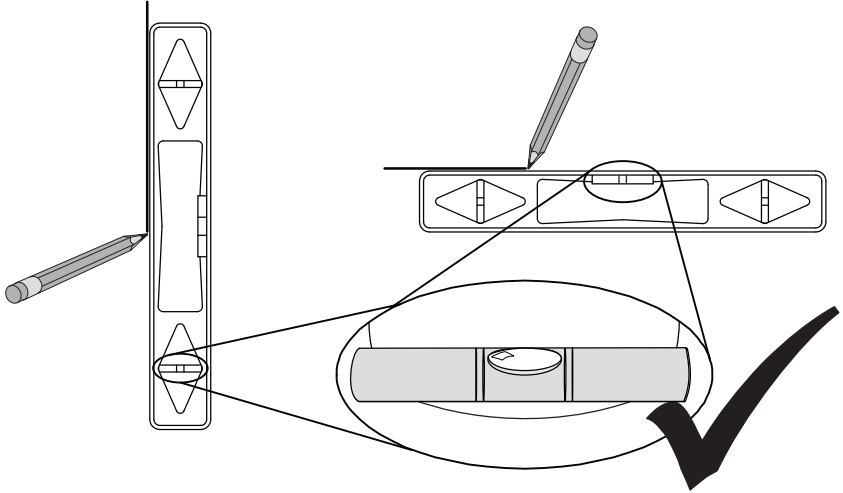
SMART #:
1013576

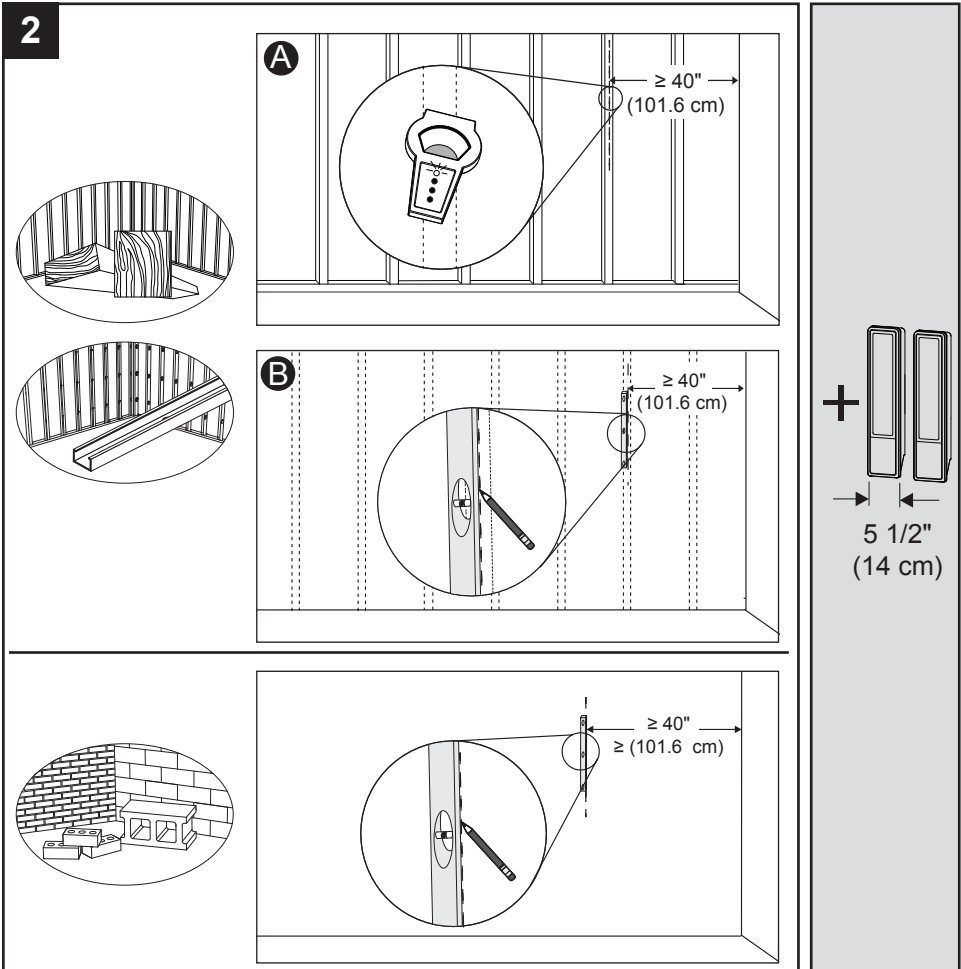
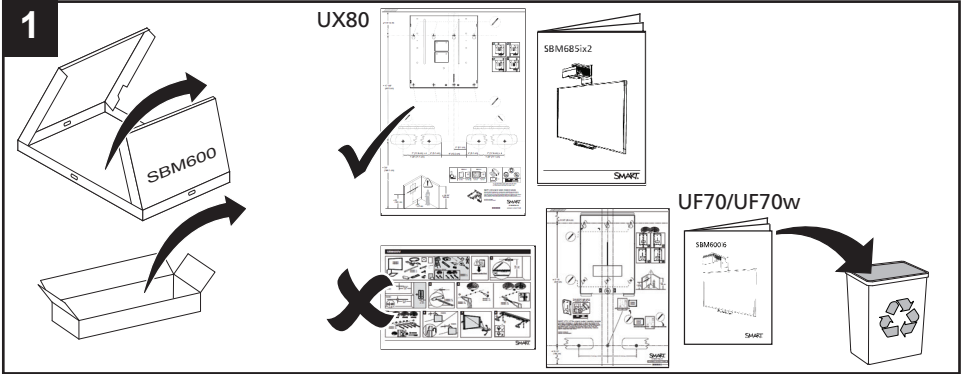


SMART #:
1020342
(x2)

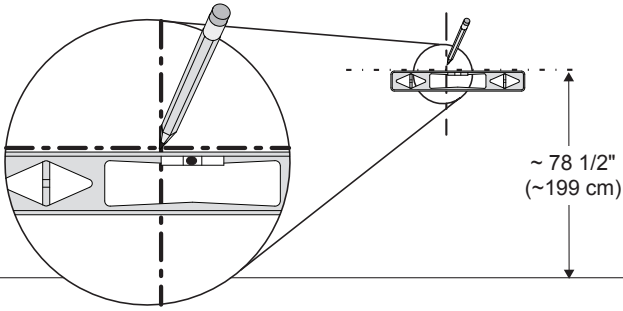
1



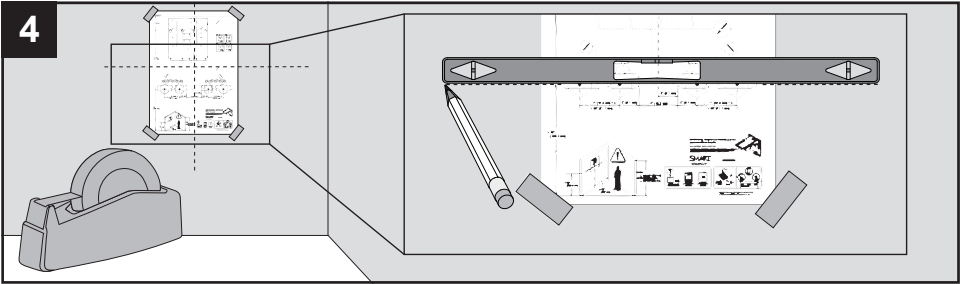




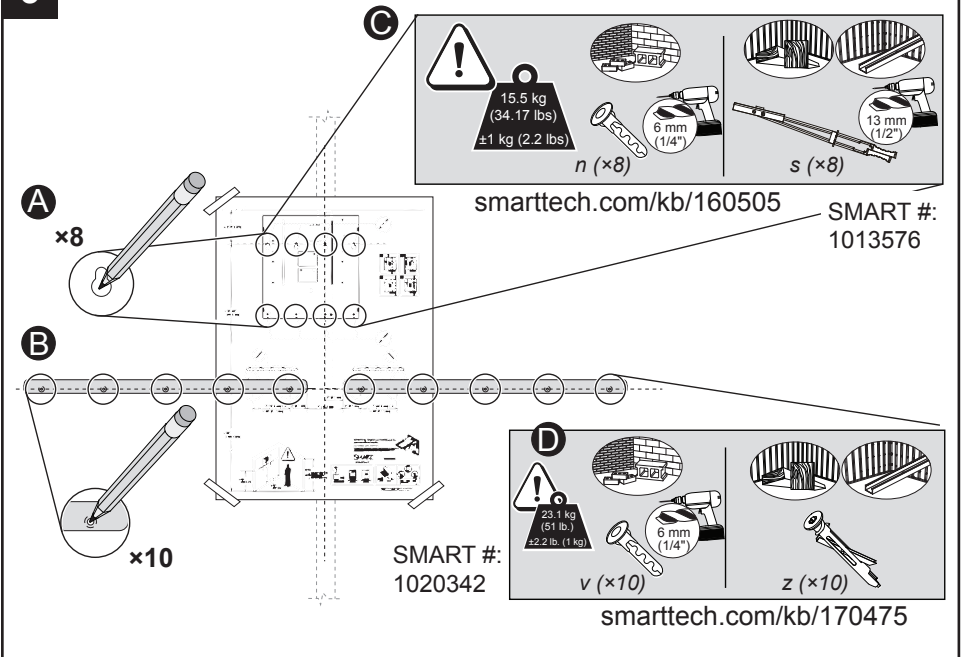
3



4



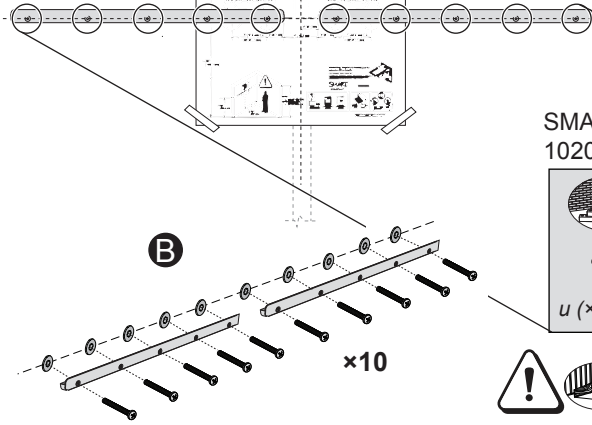
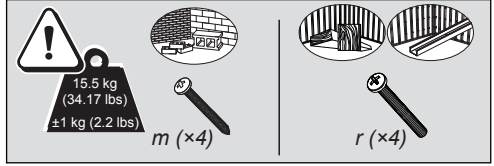
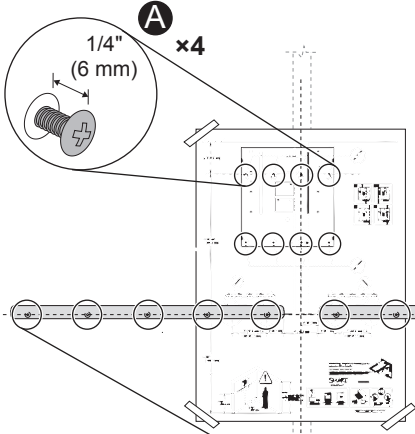
5



6

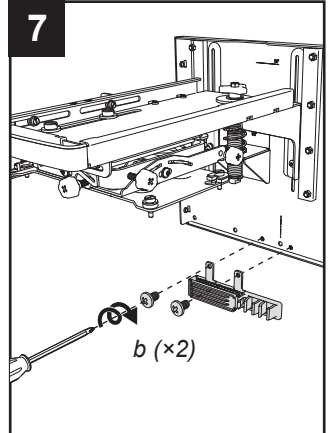
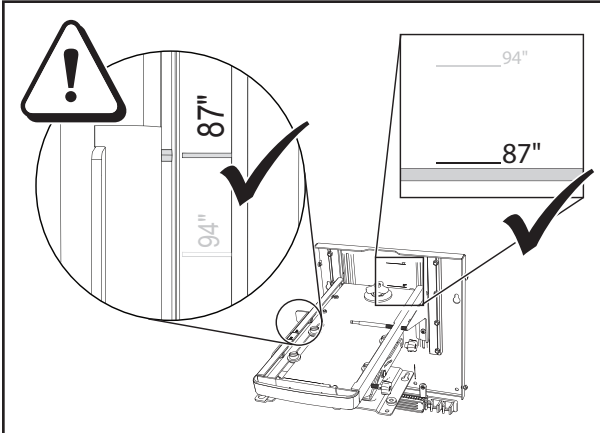
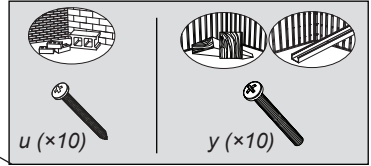
SMART #: 1013576

smarttech.com/kb/160505

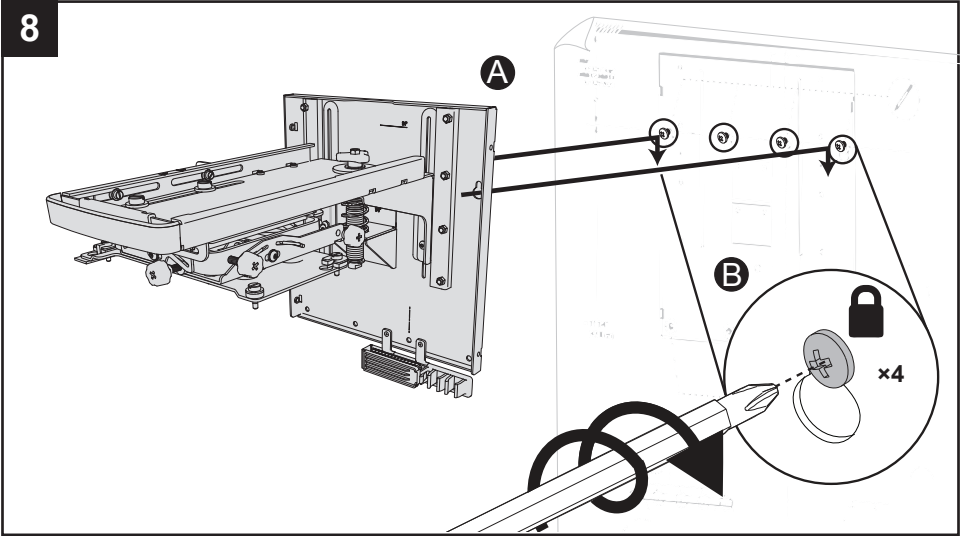


SMART #: 1020342

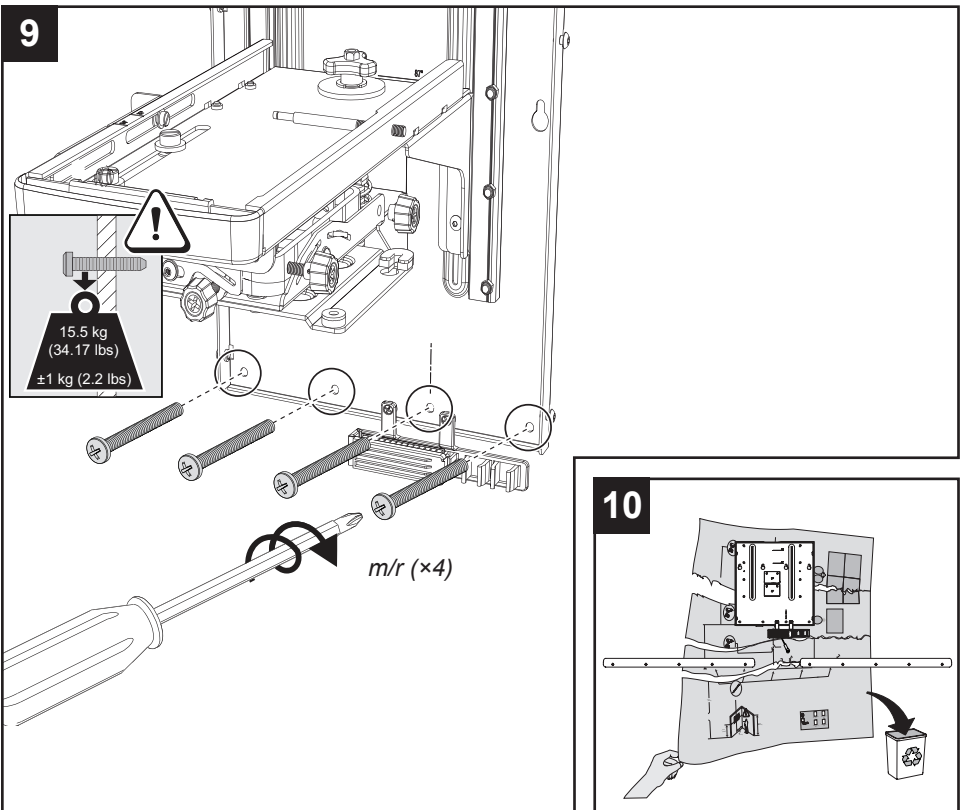
smarttech.com/kb/170475



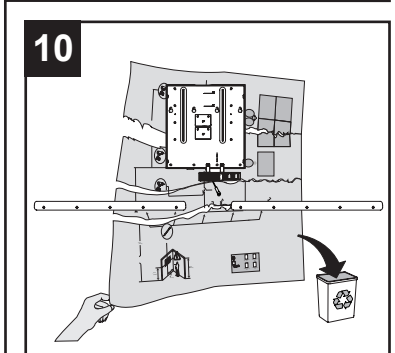
8

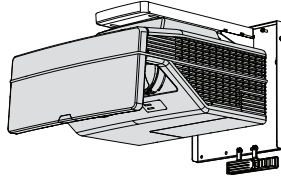


9

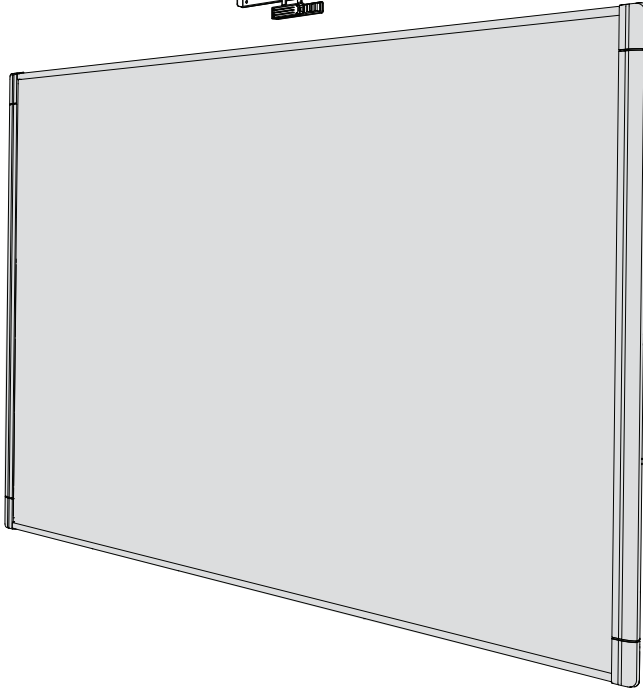


10



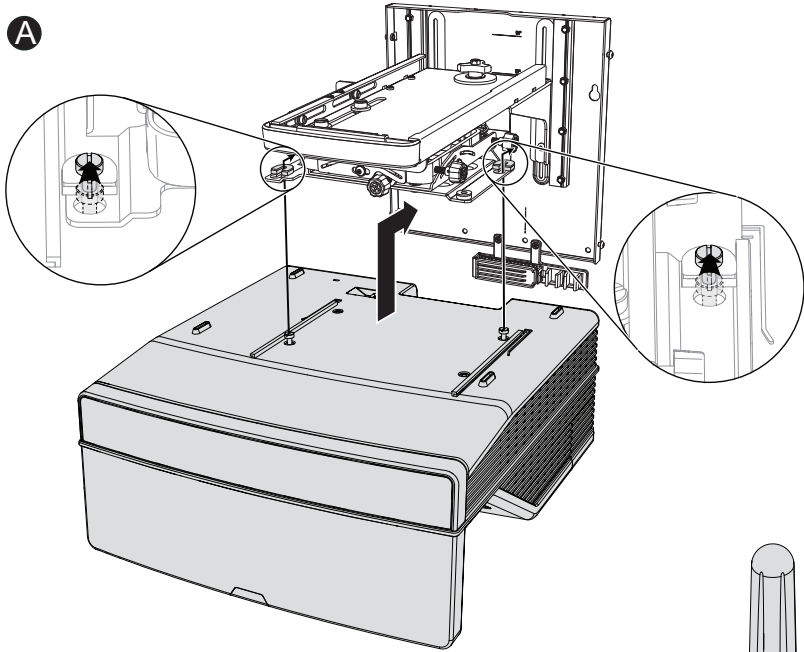


2

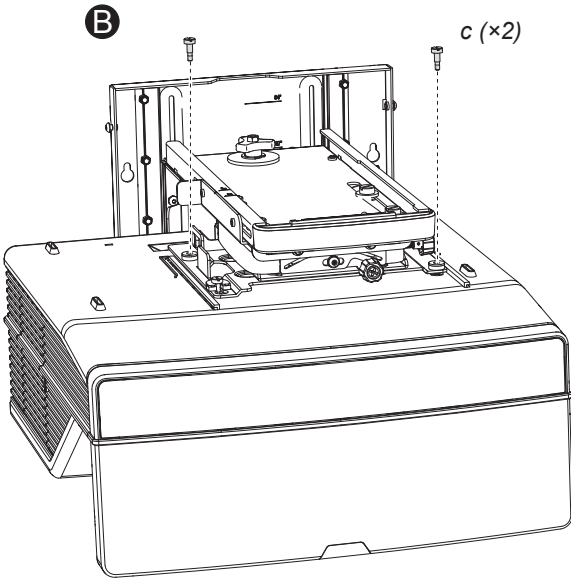


1

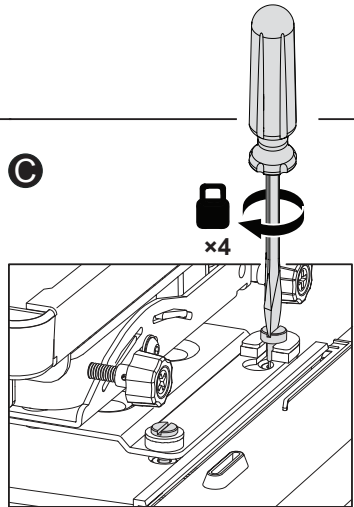
A

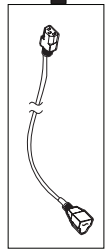
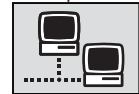
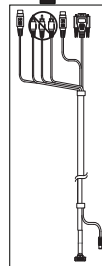
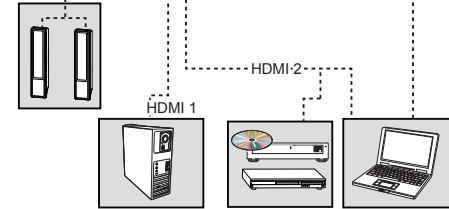
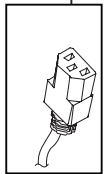
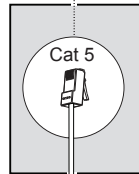
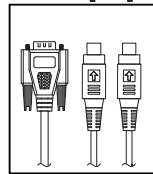
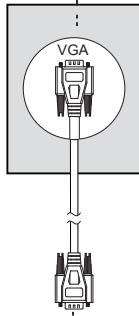
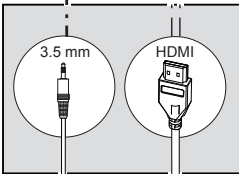
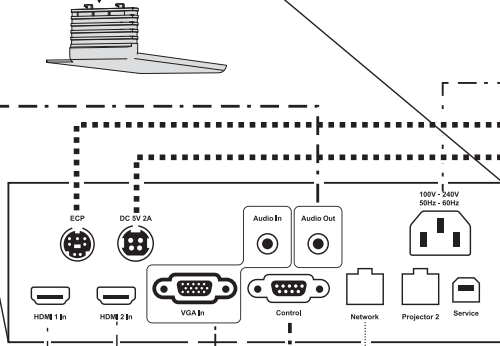
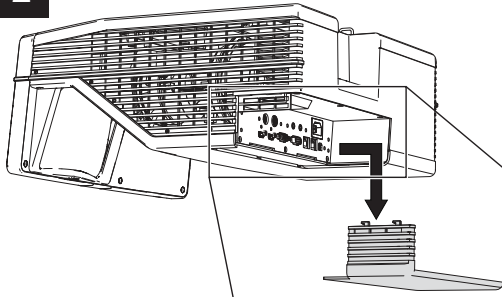


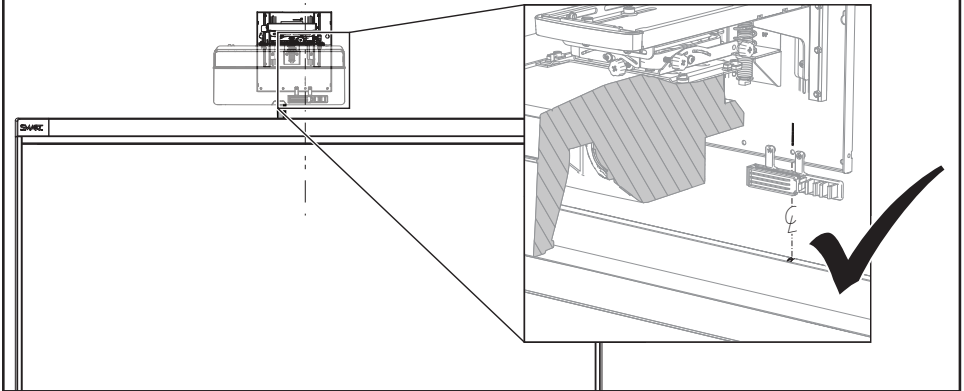
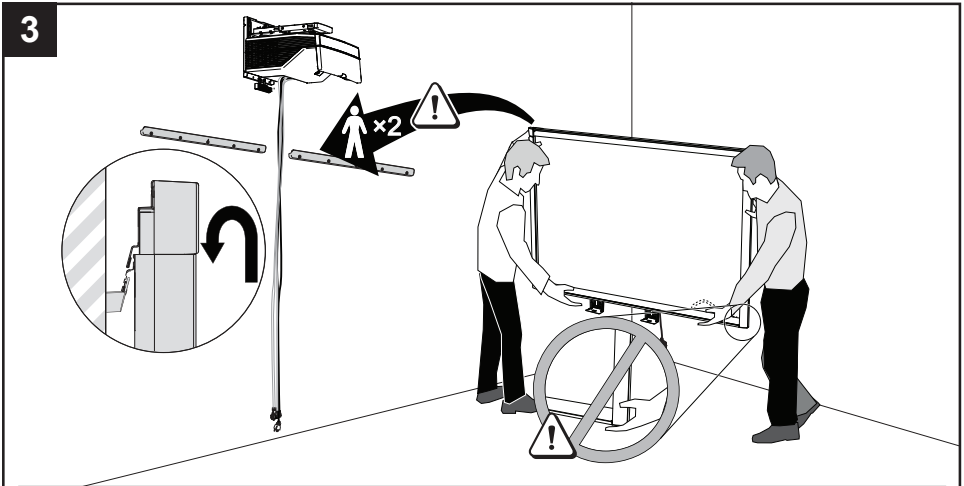
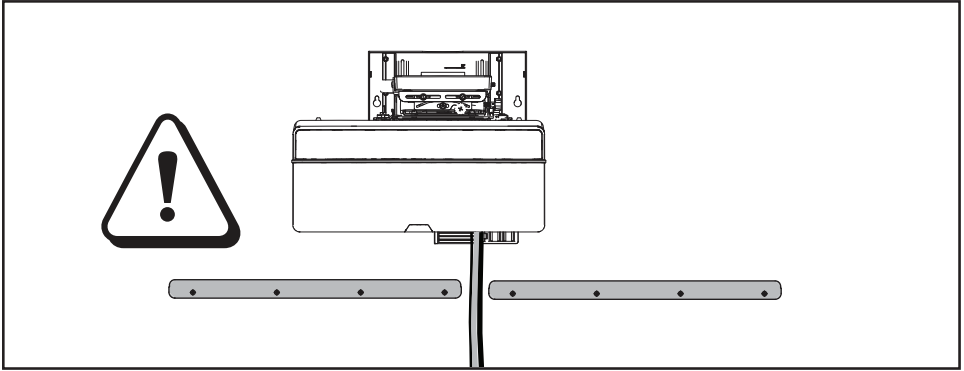
B



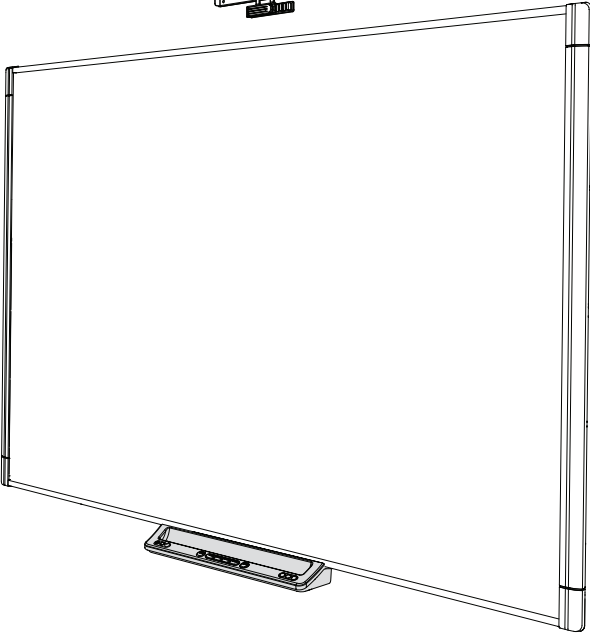
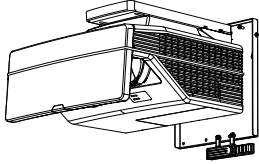
C



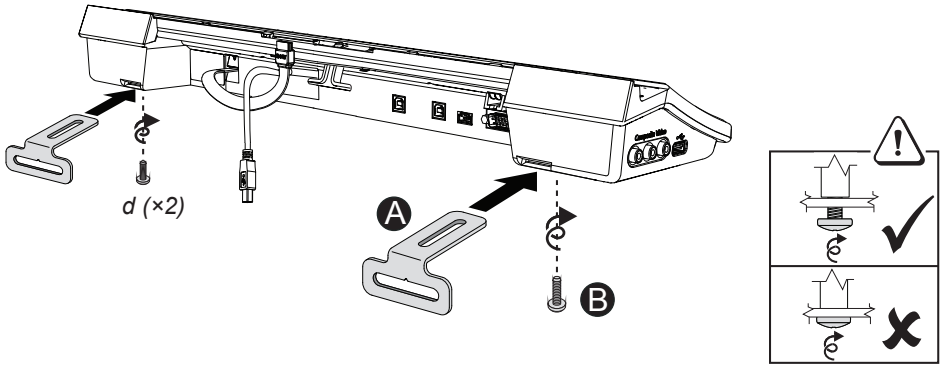




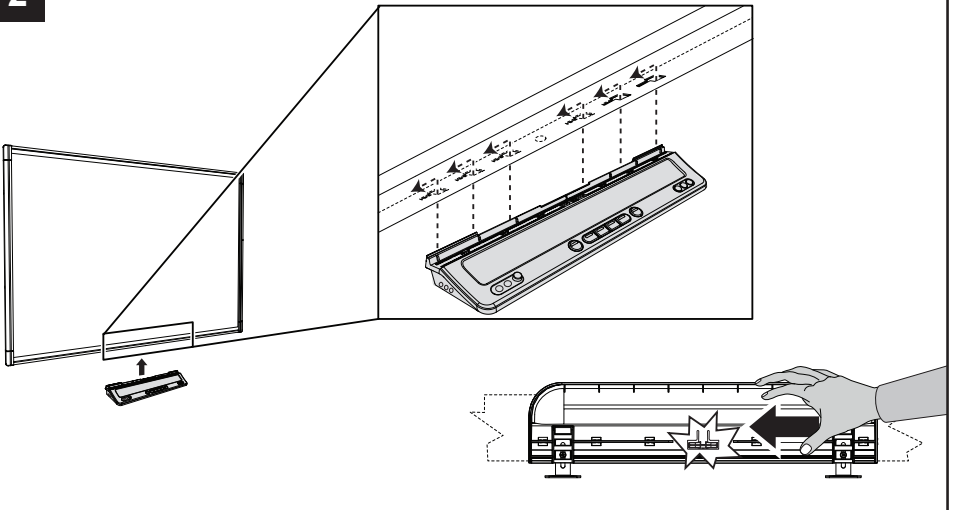
3



1

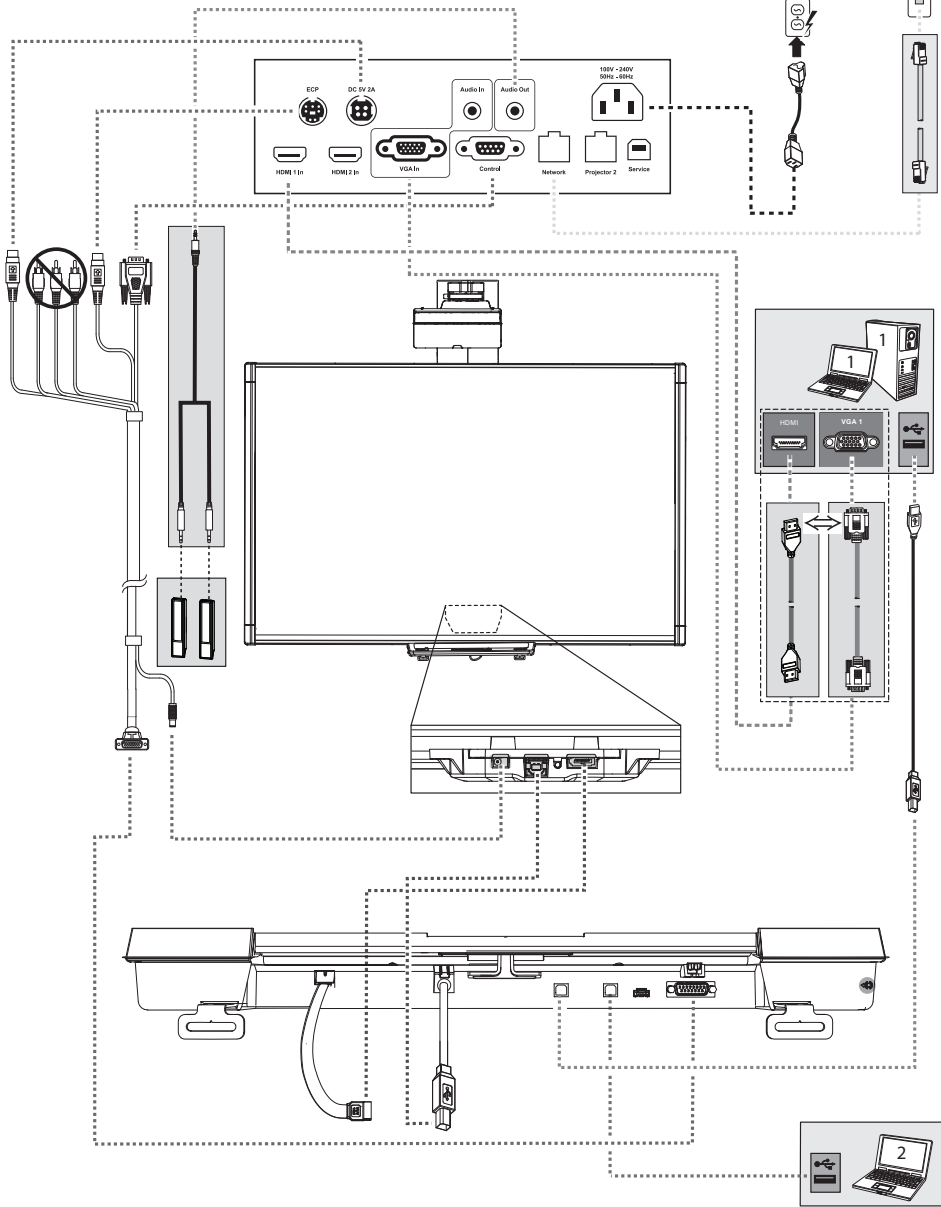


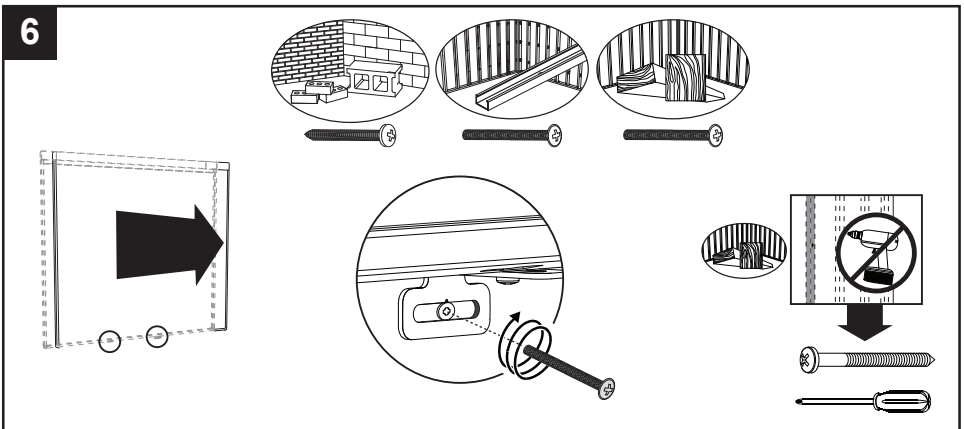
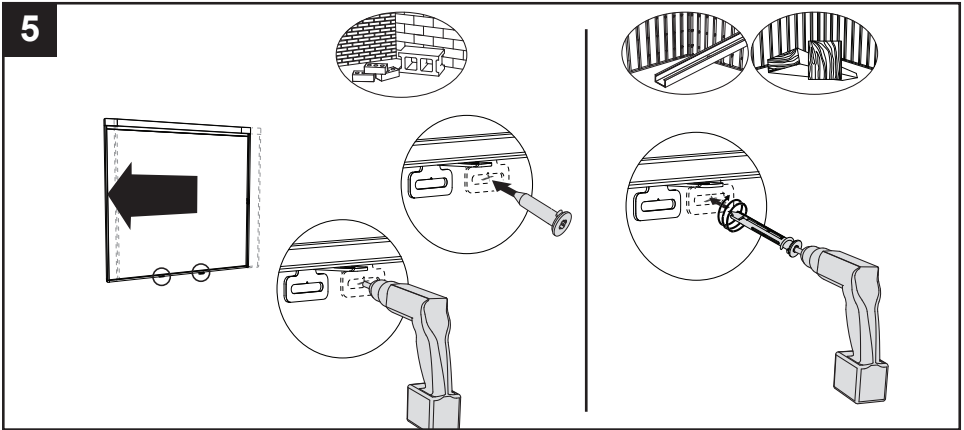
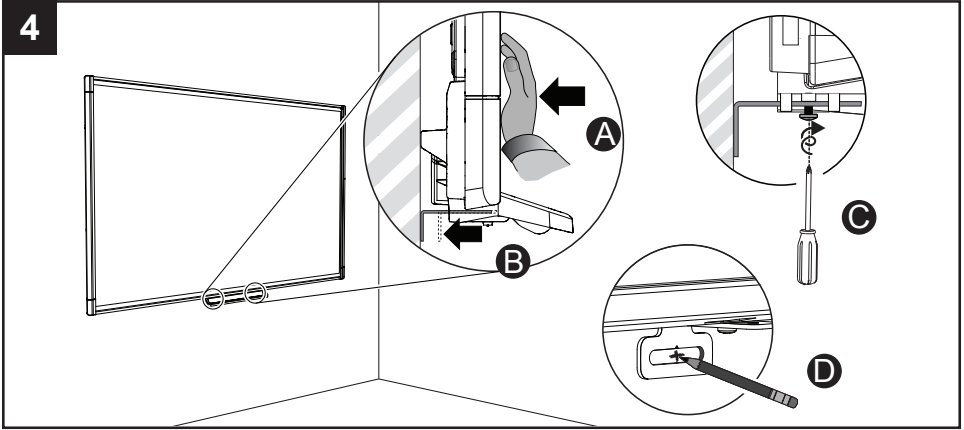
2

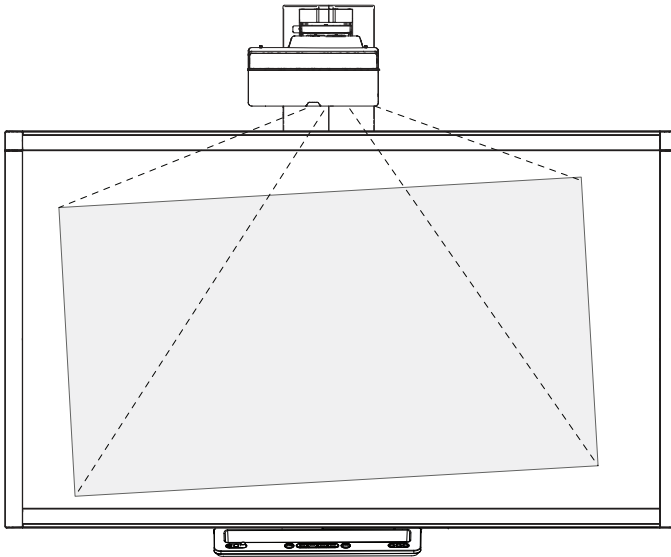


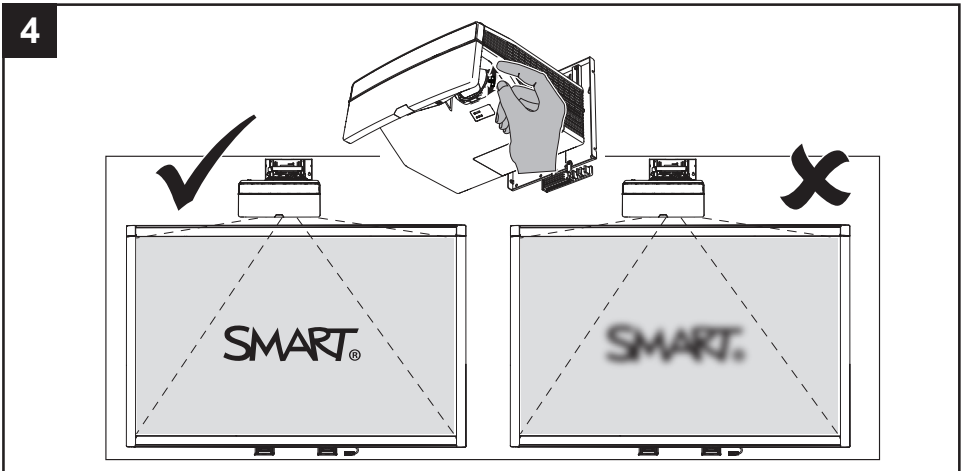
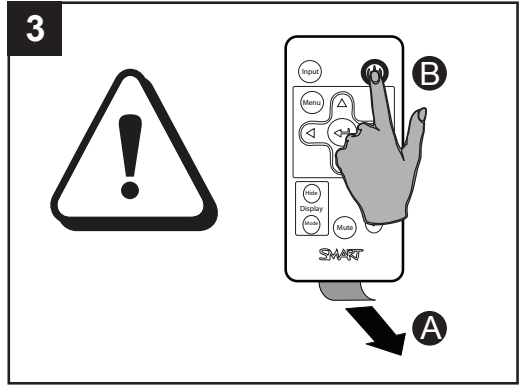
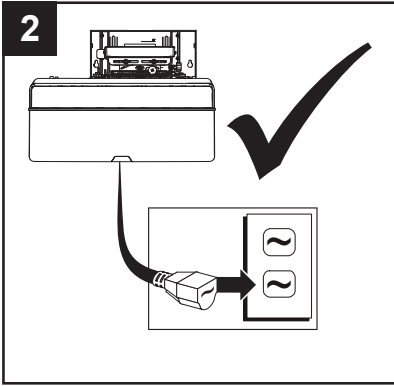
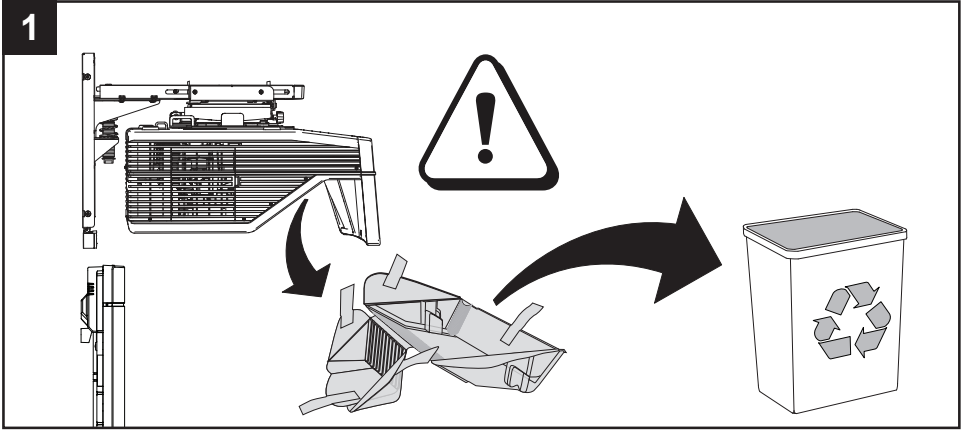
100-240V AC
50-60 Hz

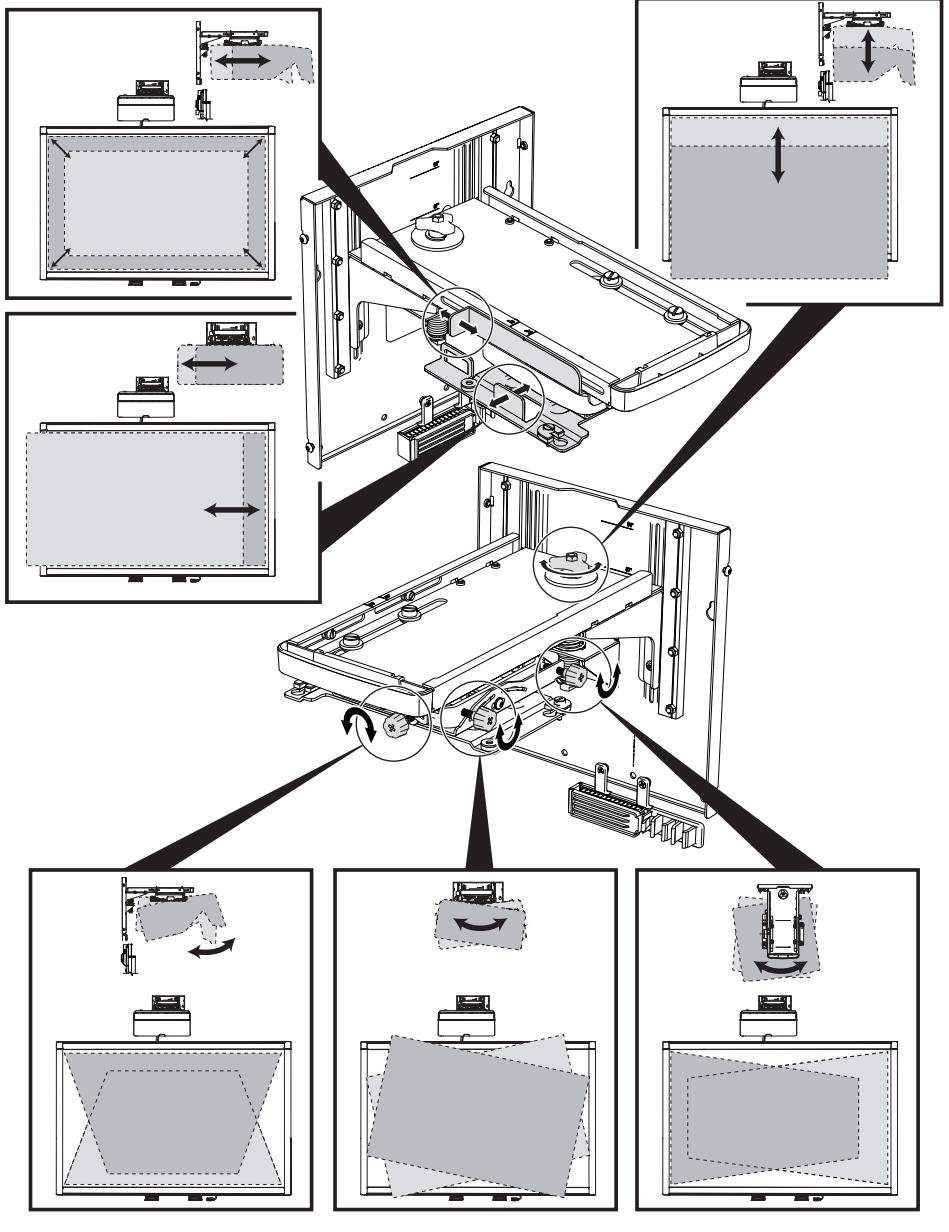
LAN

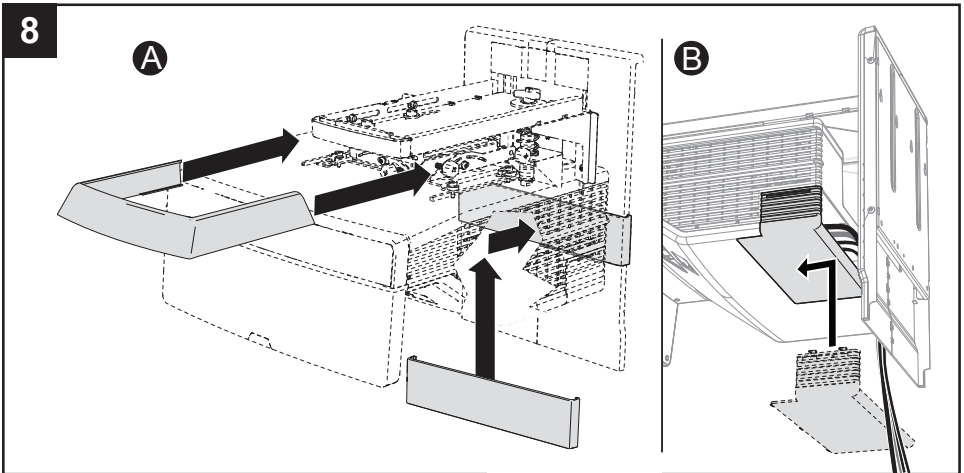
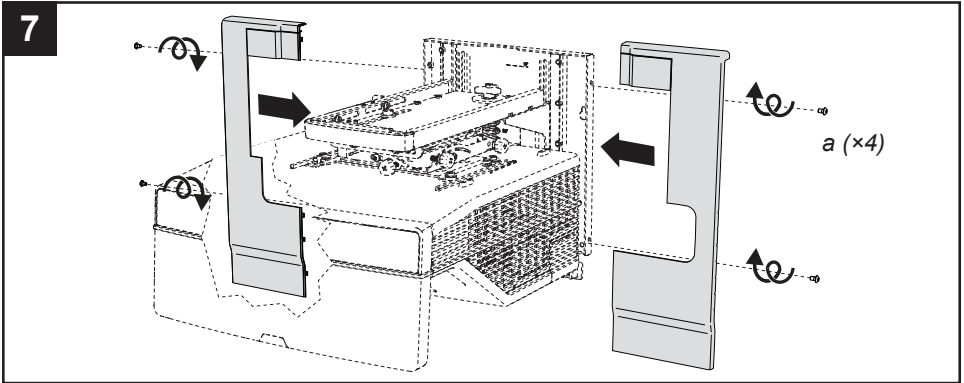
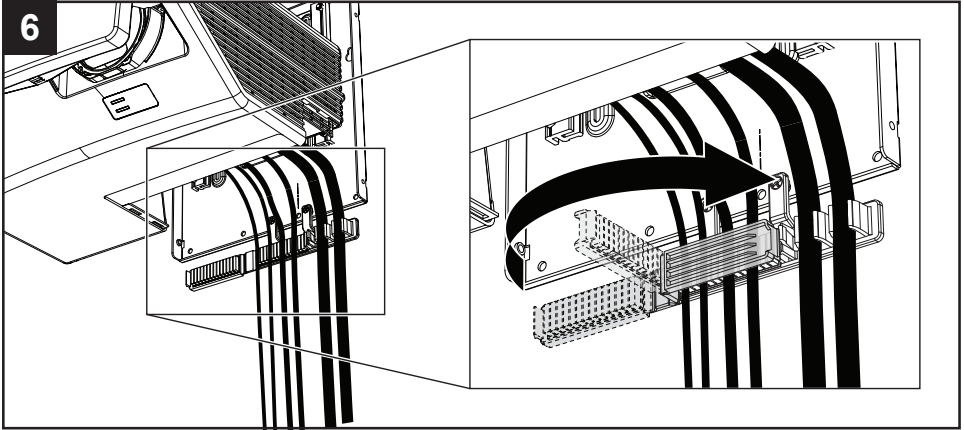




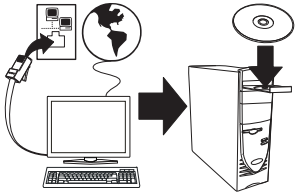




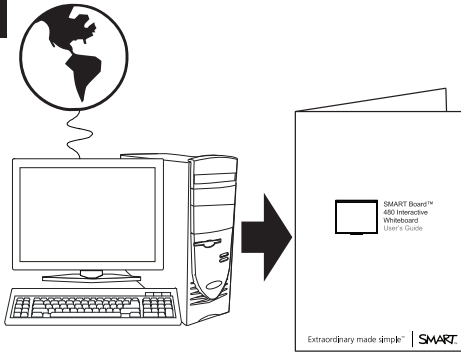




9



10



smarttech.com/kb/170548

Hardware environmental compliance

SMART Technologies supports global efforts to ensure that electronic equipment is manufactured, sold and disposed of in a safe and environmentally friendly manner.



Waste Electrical and Electronic Equipment and Battery regulations (WEEE and Battery Directives)

Electrical and electronic equipment and batteries contain substances that can be harmful to the environment and to human health. The crossed-out wheeled bin symbol indicates that products should be disposed of in the appropriate recycling stream and not as regular waste.



Batteries

The remote contains a lithium ion battery. Recycle or dispose of batteries properly.

Perchlorate material

Battery contains perchlorate material. Special handling may apply. See dtsc.ca.gov/hazardouswaste/perchlorate.



Mercury

The lamp in this product contains mercury and must be recycled in accordance with local, state provincial or federal laws.

See smarttech.com/compliance for more information.



smarttech.com/support
smarttech.com/contactsupport

© 2013 SMART Technologies ULC. All rights reserved. SMART Board, smarttech, the SMART logo and all SMART taglines are trademarks or registered trademarks of SMART Technologies ULC in the U.S. and/or other countries. All third-party products and company names may be trademarks of their respective owners. Contents are subject to change without notice. This product and/or use thereof covered by one or more of the following U.S. patents. www.smarttech.com/patents. Other patents pending. 08/2013.

SMART[®]

1022059 Rev 01

smarttech.com/kb/170440