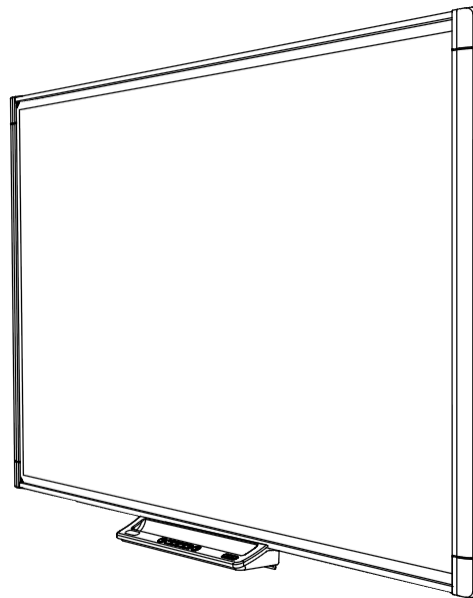




SMART[®]



***Service Parts
Diagrams***

**For Model:
SBM680
SBM685**

Service Parts Diagrams Revision History

Revision 1 - October, 2013

- New document

Revision 2 - January, 2014

- Add FRU-CAM-SBM680-A, FRU-CAM-SBM680-B, FRU-CAM-SBM685-A, FRU-CAM-SBM685-B and FRU-DSP-SBM600
- Change 52-00745-20 to 1009826

Standard Warranty Terms

Base Product: Your interactive whiteboard has a two-year limited equipment warranty.

First Customer Ship: October, 2013

SMART Technologies

3636 Research Road NW

Calgary, AB T2L 1Y1

CANADA

Support +1.403.228.5940 or Toll Free 1.866.518.6791 (Canada/U.S.)

Support Fax +1.403.806.1256

www.smarttech.com/contactserviceparts www.smarttech.com

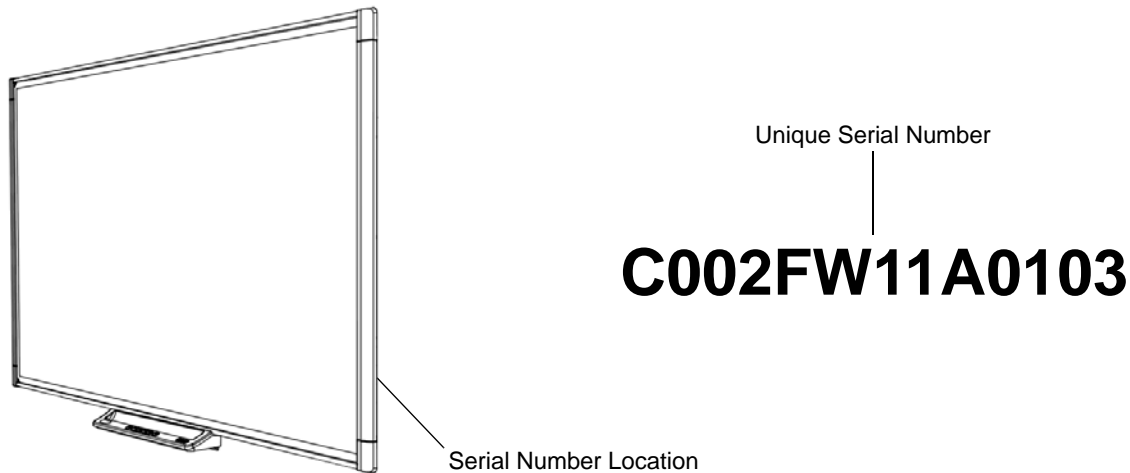


Service Parts Diagrams for the SBM680 and SBM685

- Identifying Your Product Using the Serial Number 1
- Ordering Parts 1
- SBM680 Parts 2
- SBM685 Parts 3
- Optional Board Mounting Hardware Kit (Part No. 1020342) 4

Identifying Your Product Using the Serial Number

To make sure that you have the correct service parts diagrams, you must verify the serial number of your SBM680 or SBM685 interactive whiteboard. The serial number will be located on the side of the right hand bezel as shown below. An example of the serial number format is shown below.



Ordering Parts

Customers

To order any of the parts in these service parts diagrams, contact your local reseller. To find a reseller near you, visit www.smarttech.com/where.

Dealers and Distributors

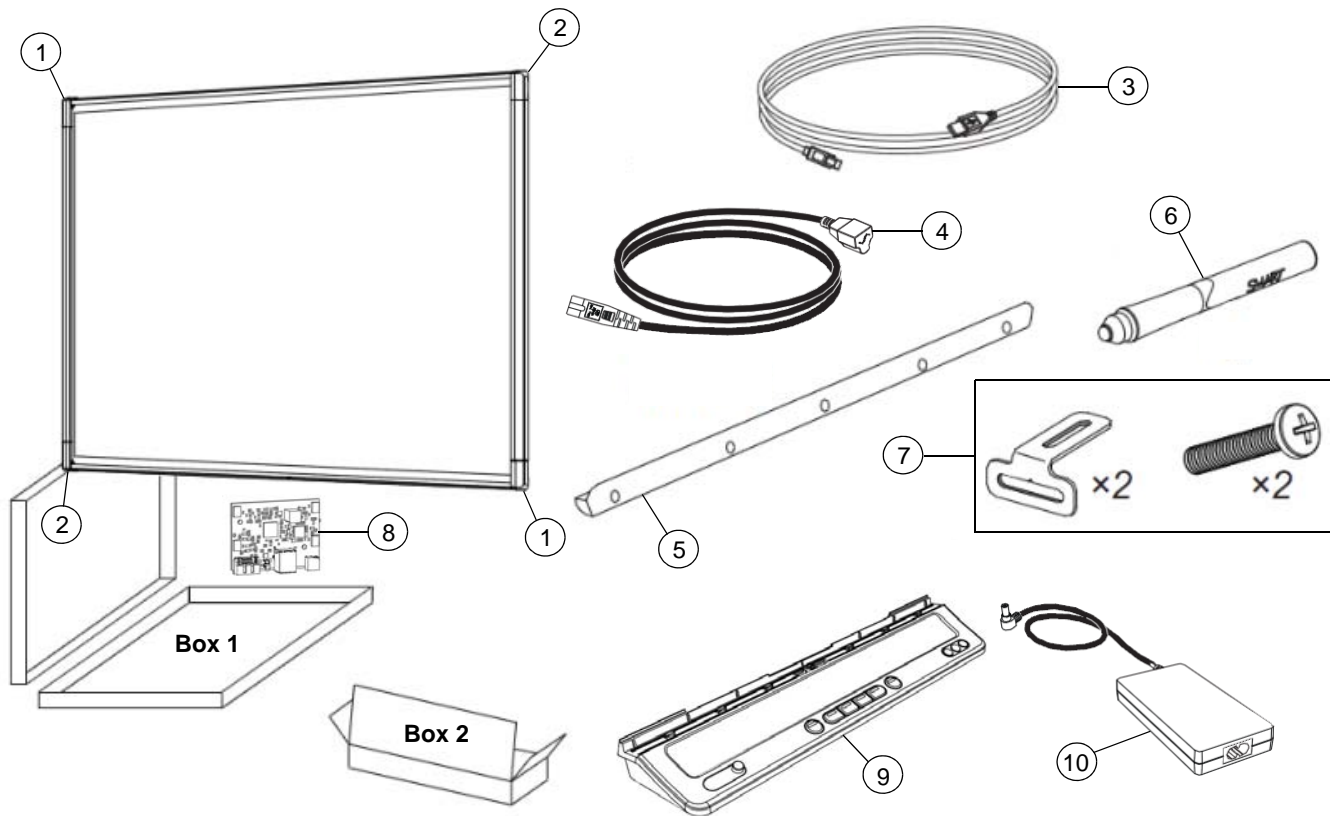
For specific technical and pricing enquiries in regards to these diagrams please contact our service parts department. Pricing is also available on-line via the SOURCE website (source.smarttech.com).

Web Form: www.smarttech.com/contactserviceparts

Phone: 1.888.42.SMART

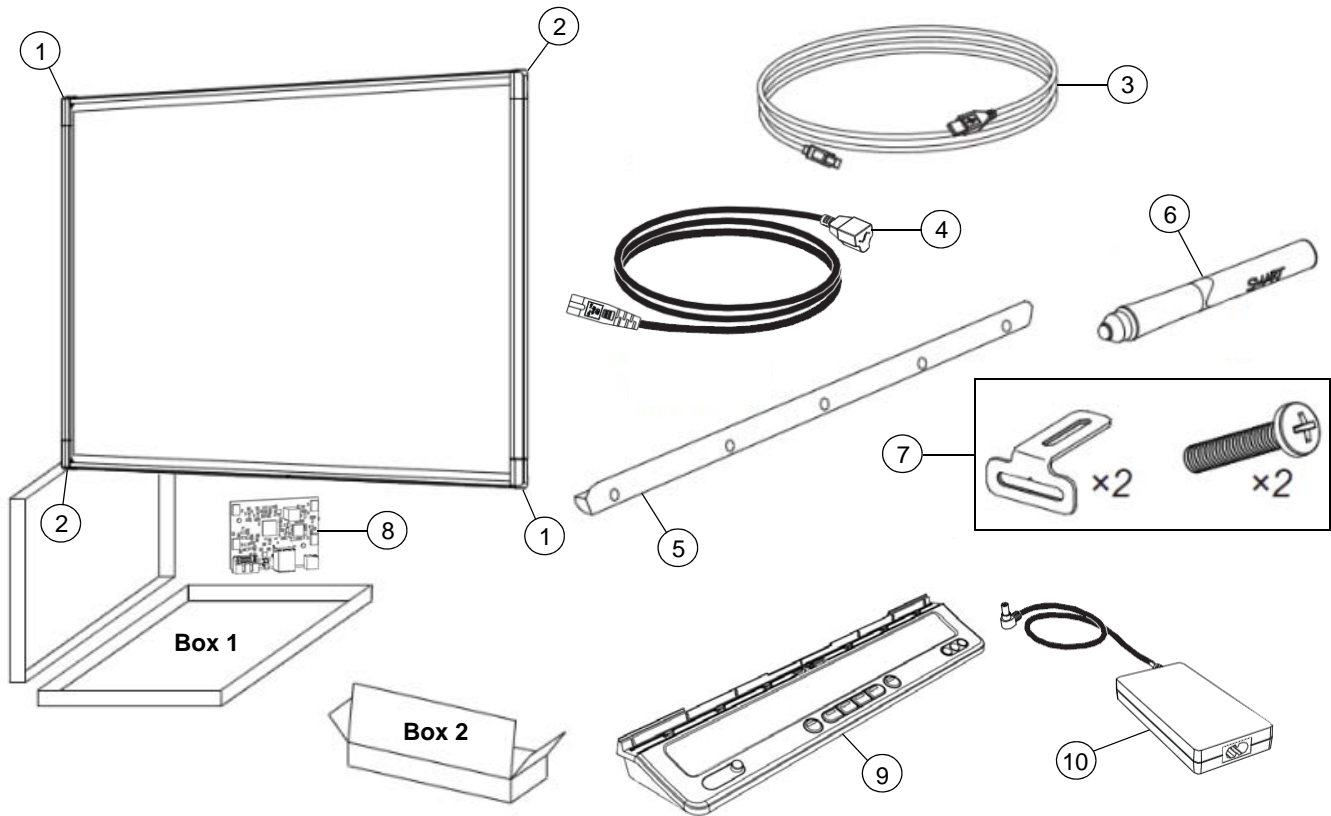
International: +1.403.245.0333

SBM680 Parts



Item	Part No.	Qty	Description
1	FRU-CAM-SBM680-A	2	FRU, camera, SBM680, position 0 and 2
2	FRU-CAM-SBM680-B	2	FRU, camera, SBM680, position 1 and 3
3	93-00828-20	1	Cable, USB, A-B, 16' (5.0 m), SBX8
4	93-00592-20	1	Cable, power, North America, 6'6" (2.0 m)
4	93-00543-20	1	Cable, power, United Kingdom, 6'6" (2.0 m)
4	93-00576-20	1	Cable, power, Australia, 6'6" (2.0 m)
4	93-00542-20	1	Cable, power, Europe, 6'6" (2.0 m)
4	93-00806-20	1	Cable, power, China, 6'6" (2.0 m)
5	1009826	1	Bracket, wall mount, blue, SBX8/SBM6
6	RPEN-SBM6	1	Replacement Pens for SMART Board SBM600 Series - Set of Two
7	1020535	1	Assembly, SBM6 pen ledge / tray mounting hardware
8	FRU-DSP-SBM600	1	FRU, digital signal processor (controller), SBM600
9	FRU-PT-SBM600	1	FRU, Pen Tray, SBM600
10	1013652	1	Power supply, 5V DC, 2A, universal switching
Not shown	1019554	2	Cap, corner, top left / bottom right, front
Not shown	1019552	2	Cap, corner, top left / bottom right, back
Not shown	1019555	2	Cap, corner, top right / bottom left, front
Not shown	1019553	2	Cap, corner, top right / bottom left, back

SBM685 Parts



Item	Part No.	Qty	Description
1	FRU-CAM-SBM685-A	2	FRU, camera, SBM685, position 0 and 2
2	FRU-CAM-SBM685-B	2	FRU, camera, SBM685, position 1 and 3
3	93-00828-20	1	Cable, USB, A-B, 16' (5.0 m), SBX8
4	93-00592-20	1	Cable, power, North America, 6'6" (2.0 m)
4	93-00543-20	1	Cable, power, United Kingdom, 6'6" (2.0 m)
4	93-00576-20	1	Cable, power, Australia, 6'6" (2.0 m)
4	93-00542-20	1	Cable, power, Europe, 6'6" (2.0 m)
4	93-00806-20	1	Cable, power, China, 6'6" (2.0 m)
5	1009826	2	Bracket, wall mount, blue, SBX8/SBM6
6	RPEN-SBM6	1	Replacement Pens for SMART Board SBM600 Series - Set of Two
7	1020535	1	Assembly, SBM6 pen ledge / tray mounting hardware
8	FRU-DSP-SBM600	1	FRU, digital signal processor (controller), SBM600
9	FRU-PT-SBM600	1	FRU, Pen Tray, SBM600
10	1013652	1	Power supply, 5V DC, 2A, universal switching
Not shown	1019554	2	Cap, corner, top left / bottom right, front
Not shown	1019552	2	Cap, corner, top left / bottom right, back
Not shown	1019555	2	Cap, corner, top right / bottom left, front
Not shown	1019553	2	Cap, corner, top right / bottom left, back

Optional Board Mounting Hardware Kit (Part No. 1020342)

NOTE: SBM685 requires two kits.

