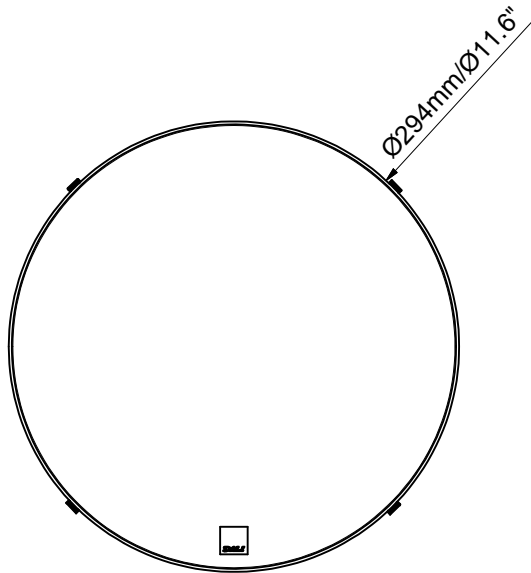


4

3

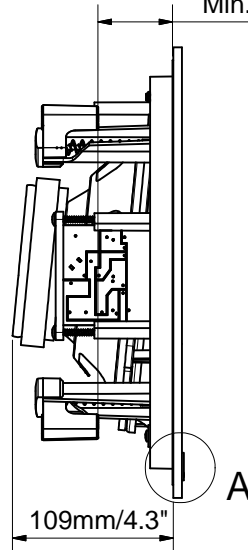
2

1



**DOGLEG SPAN**

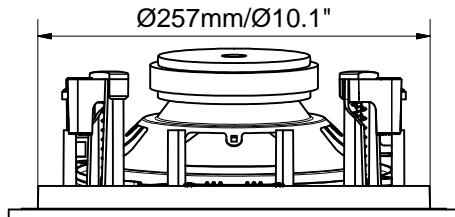
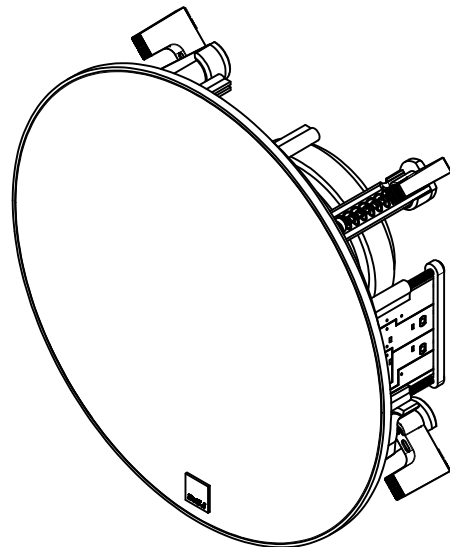
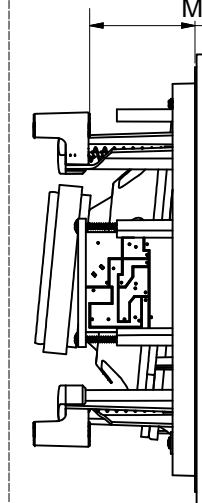
Max. 50mm/2.0"  
Min. 10mm/0.4"



**REVERSED DOGLEG POSITION**

**DOGLEG SPAN**

Max. 70mm/2.8"  
Min. 30mm/1.2"



7mm/0.28"

WITH GRILLE  
INCL. LOGO

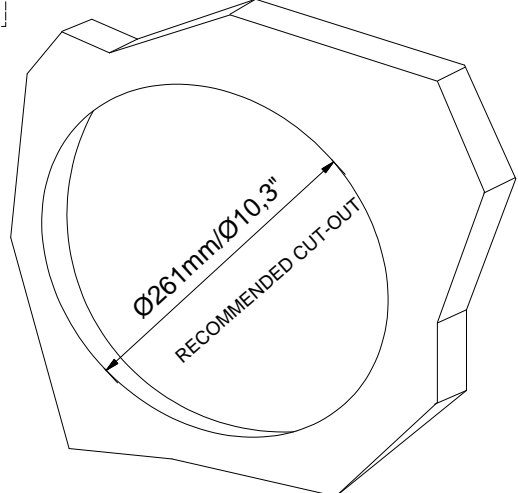
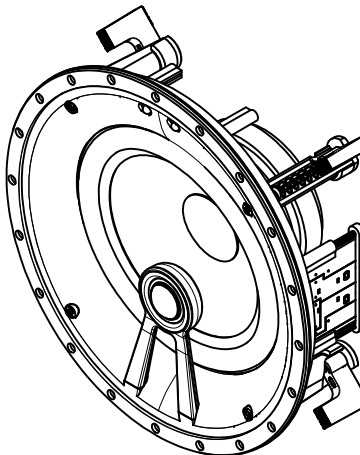
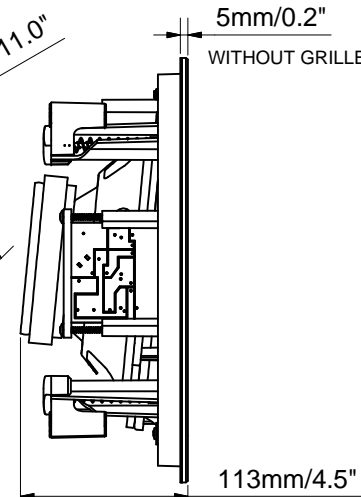
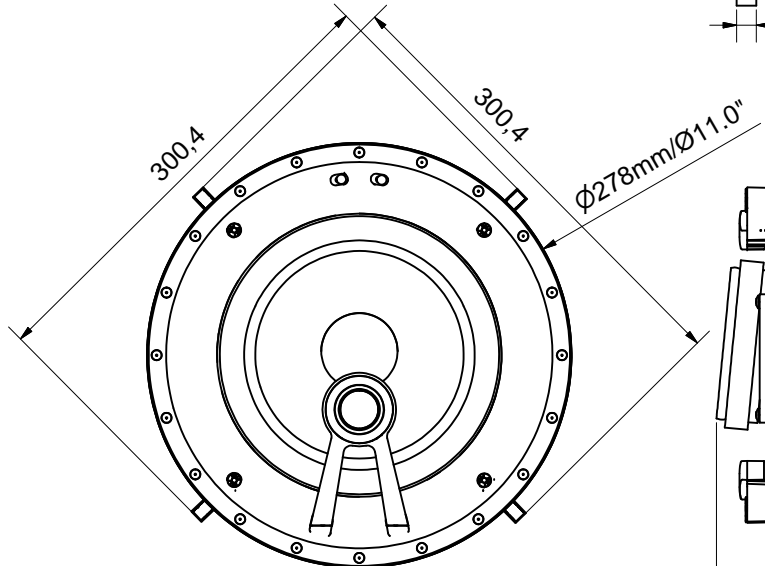
A

5,6mm/0.24"

WITH GRILLE

5mm/0.2"

WITHOUT GRILLE



**RECOMMENDED WORKING VOLUMEN: 10-100liter**  
**Weight 2.36kg.**

Material:		From mm:		0,5	3	6	30	120	400	1000				
Drawn by : RT		Created : 25-02-2015		To mm (incl.):		3	6	30	120	400	1000	2000		
Part no: 262008 DALI PHANTOM E-80		Revision: B		General tolerances: DS/ISO 2768		Fine ±		0,05	0,05	0,1	0,15	0,2	0,3	0,5
Drawing no.: 262008 DALI PHANTOM E-80 Outer dimension		Format: A3		Medium ±		0,1	0,1	0,2	0,3	0,5	0,8	1,2	2,0	3,0
01-02-2016		DALI A/S		Rough ±		0,2	0,3	0,5	0,8	1,2	2,0	3,0	DALI A/S Dali Allé 1 DK-9610 Nørager, Denmark Tel. +45 9672 1155 Fax +45 9855 1940	

B

B

A

A

4


3

2

1

REV	DATE	ENGINEER	APPROVED	DESCRIPTION	ECO
A	15-04-2015	RT	SUB	Relased for marketing	-
B	01-02-2016	RT	LFJ	Added mессure for doglegs max. diameter. Added recommede working volumen.	-



Title:	<b>Revision sheet</b>	Sheet:	<b>2 / 2</b>	 <b>DALI A/S</b> Dali Allé 1 DK-9610 Nørager, Denmark Tel. +45 9672 1155 Fax +45 9855 1940
Drawing no.:	<b>262008 DALI PHANTOM E-80 Outer dimension</b>	Format:	<b>A4</b>	