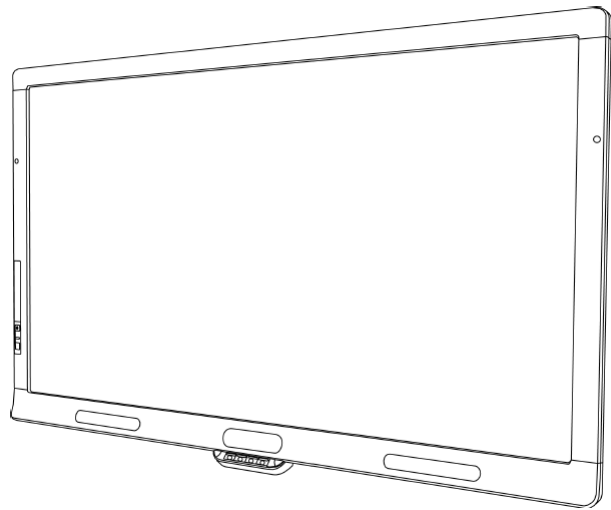


SMART[®]



Service Parts Diagrams

**For Model:
SBID8055i
SBID8055i-SMP**

Service Parts Diagrams Revision History

Revision 1 - August, 2012

- New document

Revision 2 - October, 2012

- Change 1018092 to RPEN-SBID
- Change 1017525 to SMP-UpK

Revision 3 - October, 2013

- Change SMP-UpK to GW-MPPE

Revision 4 - April, 2014

- Add WM-SBID-501, WSK-SINGLE and WSK-DUAL

Standard Warranty Terms

Base product: Two-year limited equipment warranty

First Customer Ship: August, 2012

SMART Technologies

3636 – Research Road NW

Calgary, AB T2L 1Y1

CANADA

Support +1.403.228.5940 or Toll Free 1.866.518.6791 (Canada/U.S.)

Support Fax +1.403.806.1256

www.smarttech.com/contactserviceparts www.smarttech.com

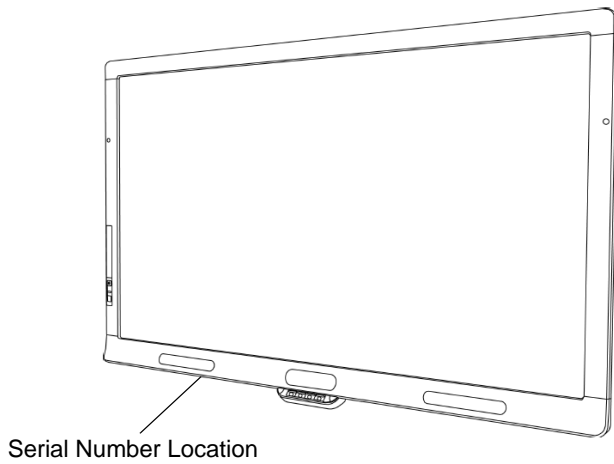
The SMART logo consists of the word "SMART" in a bold, stylized, sans-serif font. The letters are black with a white outline, and a registered trademark symbol (®) is located at the bottom right of the letter "T".

Service Parts Diagrams for the SBID8055i

- Identifying Your Product Using the Serial Number 1
- Ordering Parts 1
- SBID8055i Parts 2
- Optional Table Stand for SMART Board 55" Interactive Display (Part No. SBID8055i-TS) 4
- Wall Mount, SBID8055i and SBID8070i-G4 (Part No. WM-SBID-501) 5
- Optional Wall Stand Kit for Single Integrated Flat Panel (Part No. WSK-SINGLE) 6
- Optional Wall Stand Kit for Dual Integrated Flat Panels (Part No. WSK-DUAL) 7

Identifying Your Product Using the Serial Number

To make sure that you have the correct service parts diagrams, you must verify the serial number of your SBID8055i. The serial number will be located on the left underside of the pen ledge. An example of the serial number format is shown below.



Unique Serial Number

K012EW24D0024

Ordering Parts

Customers

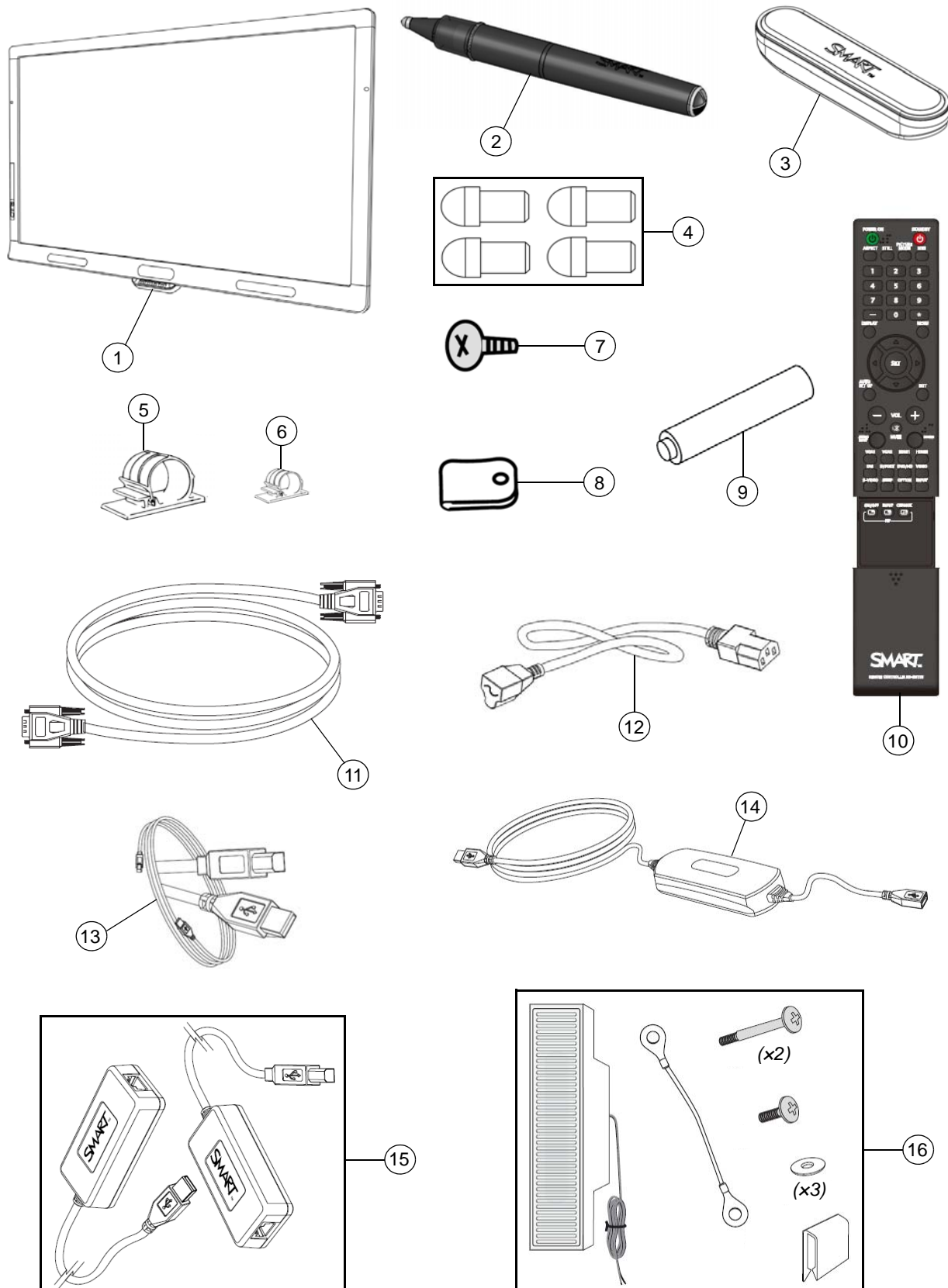
To order any of the parts in these service parts diagrams, contact your local reseller. To find a reseller near you, visit www.smarttech.com/where.

Dealers and Distributors

For specific technical and pricing enquiries in regards to these diagrams please contact our service parts department. Pricing is also available on-line via the SOURCE website (source.smarttech.com).

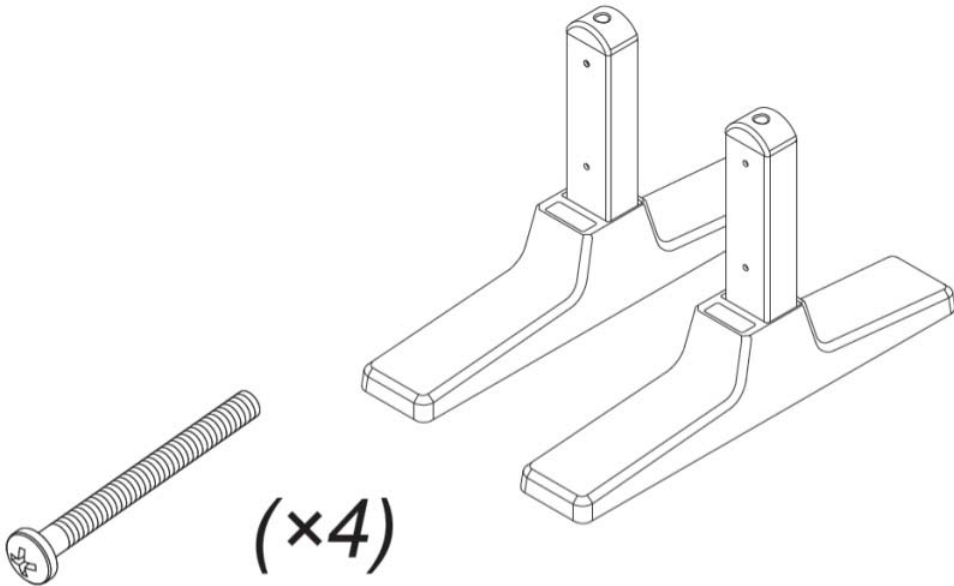
Web Form: www.smarttech.com/contactserviceparts
Phone: 1.888.42.SMART
International: +1.403.245.0333

SBID8055i Parts



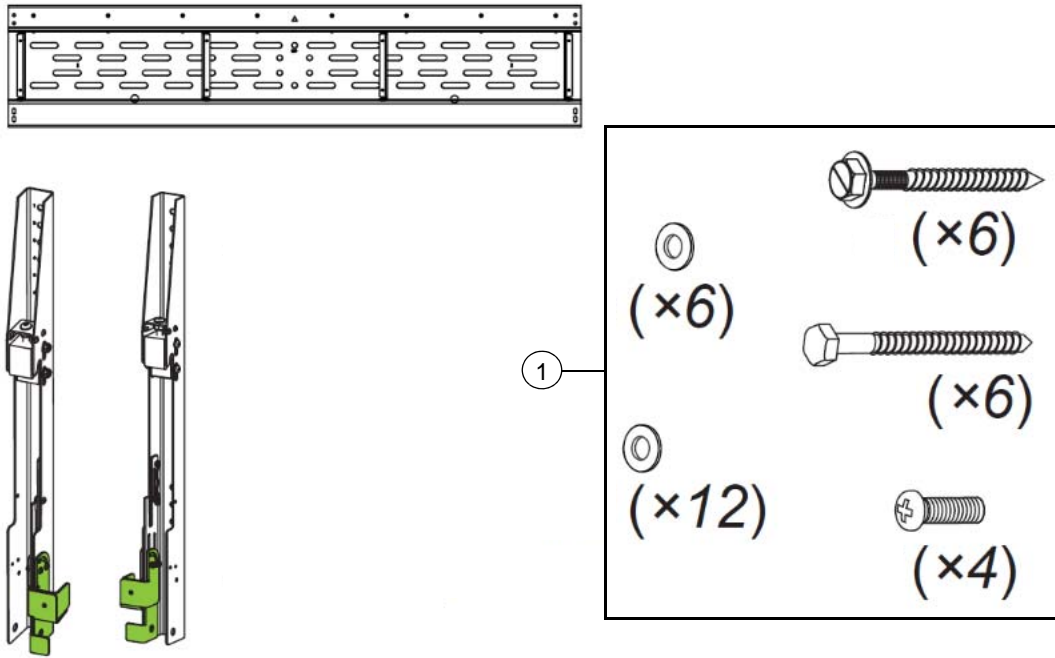
Item	Part No.	Qty	Description
1	1013794	1	Module, color select NOTE: Comes attached to the SBID8055i.
2	RPEN-SBID	2	Assembly, stylus NOTE: Includes set of four spare pen nibs (item 4).
3	RERASER-SBID	1	Assembly, eraser
4	FRU-NIB-SBID	1	Replacement Nibs for the SMART Board Interactive Display Pen - Set of Four
5	30-01445-20	5	Clamp, speaker wire management, large
6	30-01446-20	10	Clamp, speaker wire management, small
7	30-01447-20	1	Screw, M4 x 8 mm, Phillips, pan head NOTE: For attaching power cable clamp.
8	30-01444-20	1	Clamp, power cable management
9	01-00257	2	Battery, AAA
10	1013799	1	Remote control
11	93-00844-20	1	Cable, video, HD15 male to HD15 male, 13' 2" (4.0 m)
12	93-051	1	Cable, power, North America, 8' (2.4 m)
12	93-055	1	Cable, power, United Kingdom, 8' (2.4 m)
12	93-056	1	Cable, power, Australia, 8' (2.4 m)
12	93-054	1	Cable, power, Europe, 8' (2.4 m)
13	93-00828-20	1	Cable, USB, A-B, 16' (5.0 m)
14	GW-MPPE	1	SMART GoWire auto-launch cable with Meeting Pro Personal Edition NOTE: Only included with the SBID8055i-SMP model.
15	CAT5-XT-1100	1	CAT 5 to USB Extender, CAT5 Cable not included NOTE: Only included with the SBID8055i-SMP model.
16	03-00210-20	2	Speaker kit

Optional Table Stand for SMART Board 55" Interactive Display (Part No. SBID8055i-TS)



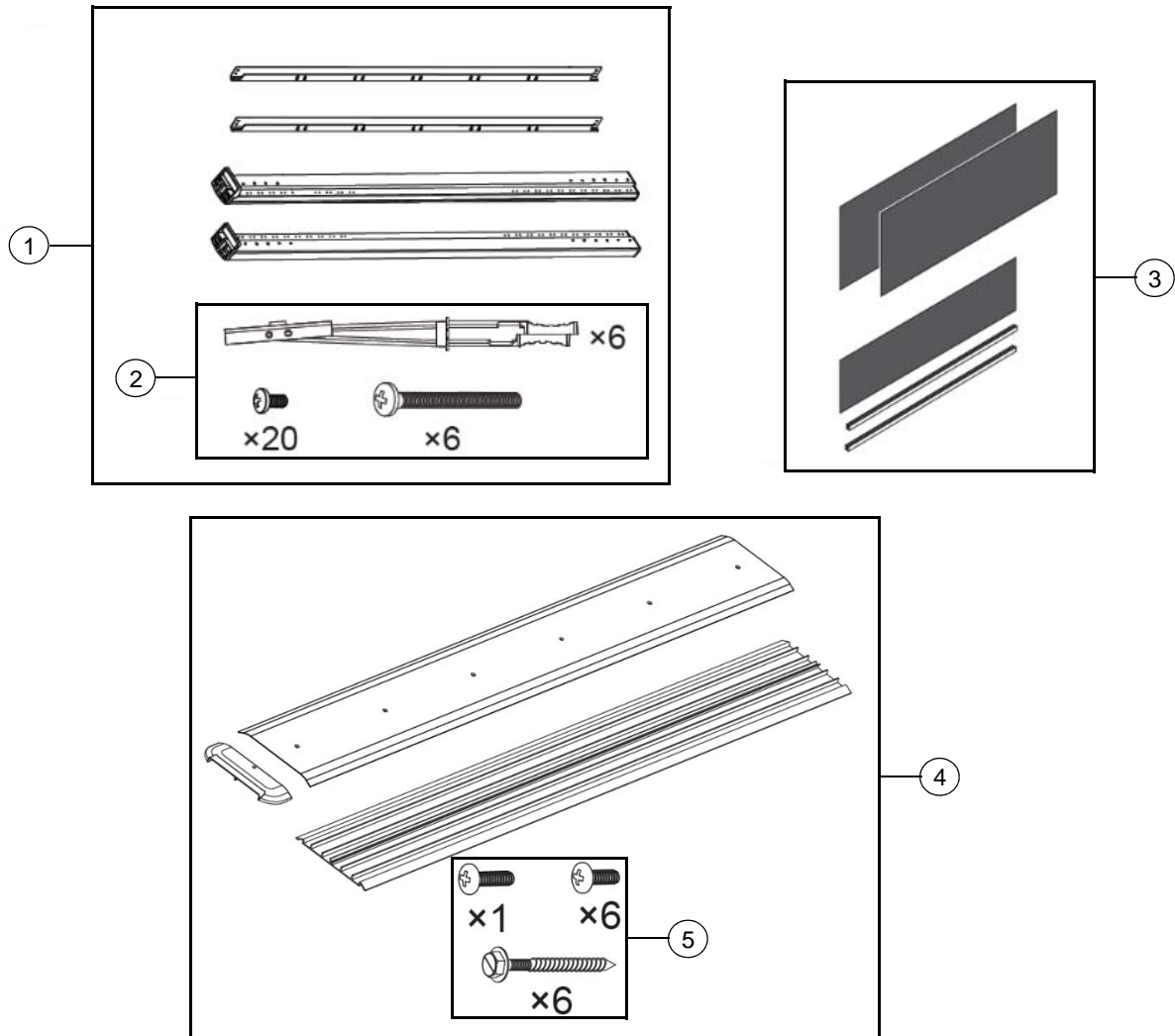
NOTE: Components not available separately.

Wall Mount, SBID8055i and SBID8070i-G4 (Part No. WM-SBID-501)



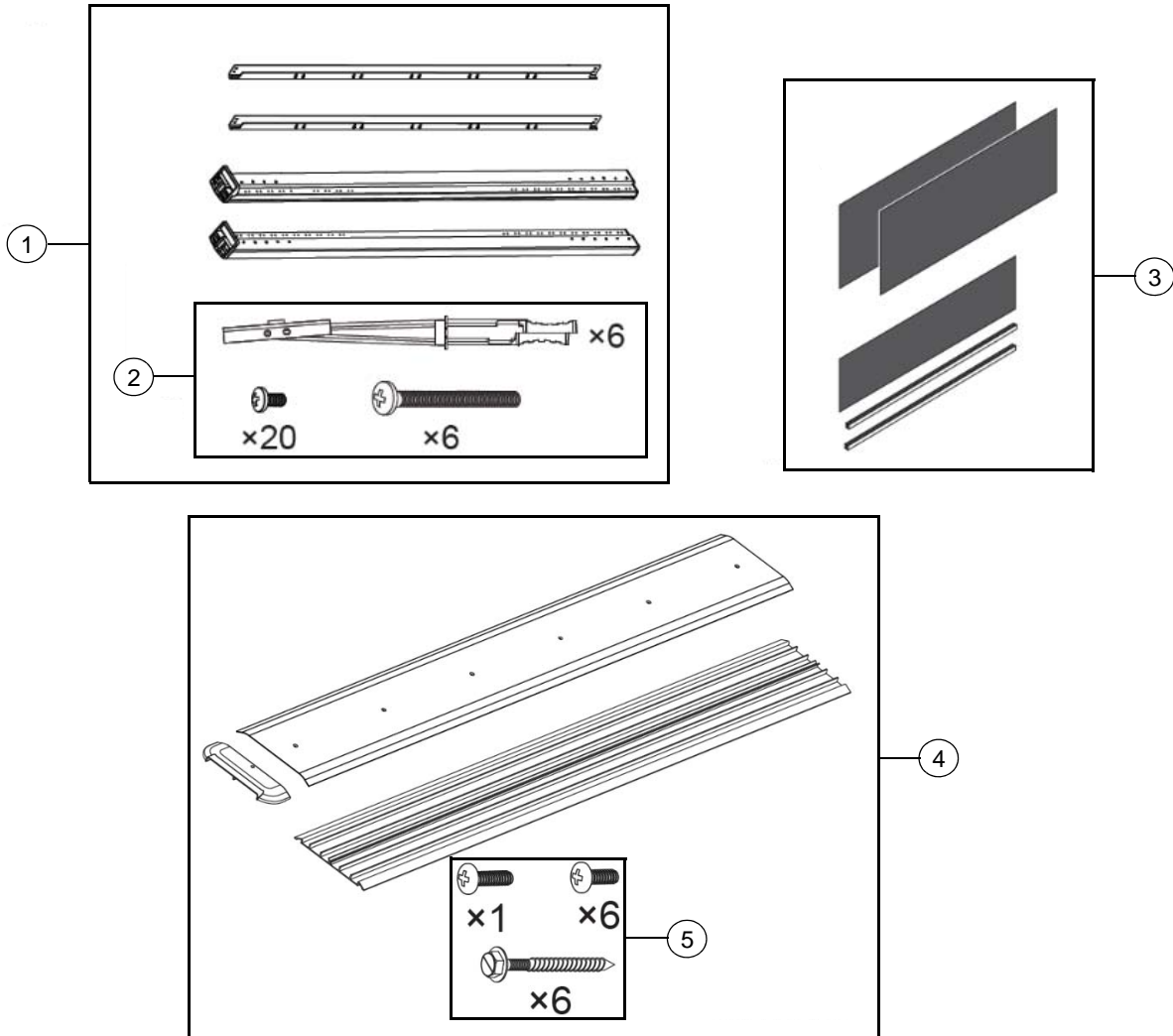
Item	Part No.	Qty	Description
1	1022216	1	Assembly, hardware, kit, WM-SBID-501/502

Optional Wall Stand Kit for Single Integrated Flat Panel (Part No. WSK-SINGLE)



Item	Part No.	Qty	Description
1	1020547	1	Assembly, uprights, wall stand NOTE: Includes item 2.
2	1021347	1	Assembly, hardware, kit, WS-SBID-500
3	1020546	1	Assembly, panel, wall stand
4	1018900	1	Assembly, cable raceway, RW-500 NOTE: Includes item 5.
5	1021406	1	Assembly, hardware, kit, RW-500

Optional Wall Stand Kit for Dual Integrated Flat Panels (Part No. WSK-DUAL)



Item	Part No.	Qty	Description
1	1020547	2	Assembly, uprights, wall stand NOTE: Includes item 2.
2	1021347	2	Assembly, hardware, kit, WS-SBID-500
3	1020546	2	Assembly, panel, wall stand
4	1018900	1	Assembly, cable raceway, RW-500 NOTE: Includes item 5.
5	1021406	1	Assembly, hardware, kit, RW-500