

Specifications

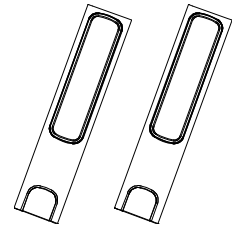
# SBA-L projection audio system for SMART Board® interactive whiteboard systems

Model SBA-L

## Overview

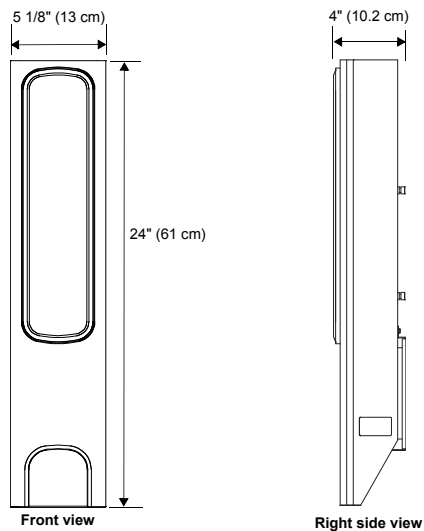
The projection audio system for SMART Board® interactive whiteboard systems is intended for front-projection systems that include an extended control panel (ECP) with a volume control. You can also use the digital volume controls included with the operating system.

See [smarttech.com](http://smarttech.com) for more information on this product.



## Dimensions and weights\*

### Dimensions



### Weight (both speakers)

11 lb. 14 oz. (5.4 kg)

With brackets added

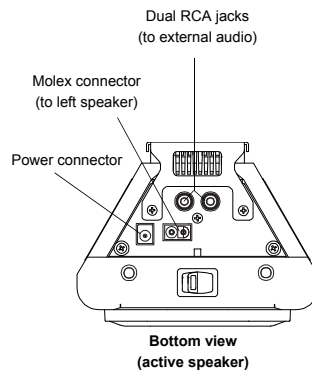
13 lb. 11 oz. (6.2 kg)

### Shipping size

12 3/4" W × 8" H × 26 1/2" D  
(32.4 cm × 20.3 cm × 67.3 cm)

### Shipping weight

18 lb. (8.2 kg)



\*All dimensions ± 1/8" (0.3 cm). All weights ± 2 lb. (0.9 kg).

## Standard features

<b>Mounting brackets</b>	Mount the speakers directly to your SMART Board 600 or 800 series interactive whiteboard system.
<b>Color</b>	Light gray (approximates PANTONE® Cool Gray 4 C) Matches the SMART UF70 projector and the SMART Board M600 series interactive whiteboard
<b>Connectivity</b>	Dual RCA receptacles on the bottom of the right (active) speaker connect to the projector
<b>Frequency range</b>	50 Hz to 20 kHz ± 6 dB
<b>Output</b>	14 W RMS both channels driven simultaneously. The audio system provides a comfortable listening volume in rooms up to 1,000 square feet (93 square meters) in size with a 30-person capacity (subject to room acoustics)
<b>Connection panel (right speaker)</b>	Polarized Molex® connector and 16 AWG wire with sufficient slack to discreetly route wire behind your interactive whiteboard or along the floor
Dual RCA	Connects to the projector
Power	Powered barrel connector (15V DC, 4A), positive center
<b>Power requirements</b>	Switching power supply (100V–240V AC, 50 Hz–60 Hz, 1.5A) and a 14' 9 1/8" (4.5 m) country-specific power cord (15V DC, 4000 mA, 60 VA, positive tip)
<b>Operating specifications</b>	41°F to 95°F (5°C to 35°C) with up to 80% humidity, non-condensing <b>Caution:</b> If the speakers are very cold, allow them to warm to room temperature before operation.

## Certification and compliance

<b>Regulatory certification</b>	UL (Canada/U.S.), CE, FCC, IC, C-Tick
<b>Environmental compliance</b>	China EIP; EU RoHS, REACH, Packaging and WEEE; U.S. Packaging and Conflict Minerals

## Purchasing information

<b>Order number</b>	
SBA-L	SBA-L projection audio system for SMART Board 600 and 800 series interactive whiteboard systems
<b>Warranty</b>	One-year limited equipment warranty

smarttech.com/support  
smarttech.com/contactsupport

© 2011–2014 SMART Technologies ULC. All rights reserved. SMART Board, smarttech, the SMART logo and all SMART taglines are trademarks or registered trademarks of SMART Technologies ULC in the U.S. and/or other countries. All third-party product and company names may be trademarks of their respective owners. This product and/or use thereof covered by one or more of the following U.S. patents. www.smarttech.com/patents. Contents are subject to change without notice. 05/2014.