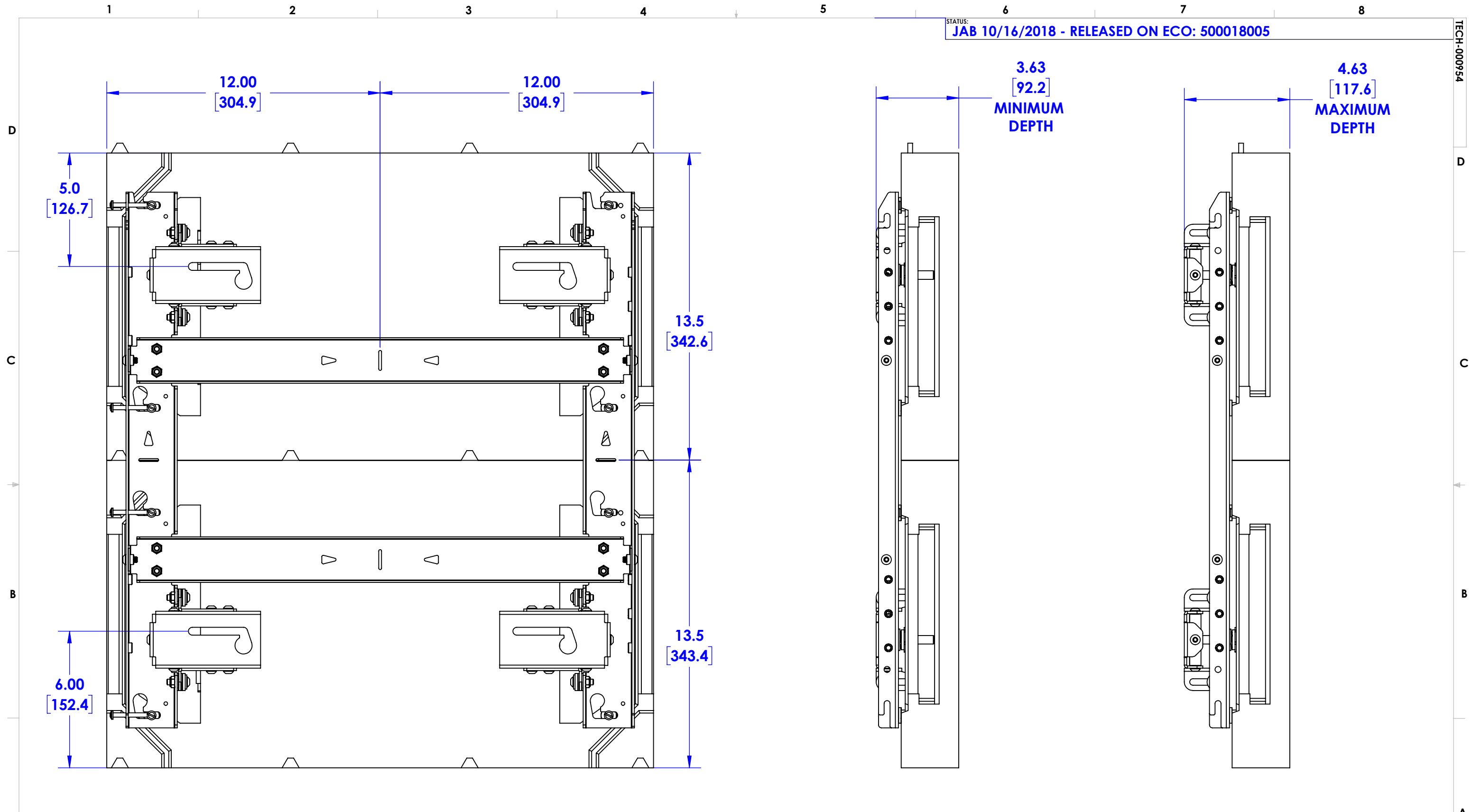


THE INFORMATION AND DESIGNS CONTAINED IN THIS DRAWING ARE CONFIDENTIAL AND THE PROPRIETARY PROPERTY OF MILESTONE AV TECHNOLOGIES NEITHER THIS DESIGN NOR ANY INFORMATION CONTAINED IN THIS DRAWING MAY BE REPRODUCED OR DISCLOSED TO OTHERS WITHOUT THE EXPRESS WRITTEN CONSENT OF MILESTONE AV TECHNOLOGIES.

CAD GENERATED DRAWING, DO NOT MANUALLY UPDATE.				6436 CITY WEST PKWY EDEN PRAIRIE MN, 55344 PHONE: 866-977-3901 FAX: 877-894-6918	
DRAWN BY	JAB	10/1/2018		DESCRIPTION	ABSEN ACCLAIM SERIES LED, 2 HIGH MOUNT
ENG APPROVAL			MODEL NO.	TIL1X2AA	
MFG APPROVAL			SCALE	1:4	REV. 00
QA APPROVAL			SIZE	B	DWG. NO. TECH-000954
SHEET 1 OF 2					



THE INFORMATION AND DESIGNS CONTAINED IN THIS DRAWING ARE CONFIDENTIAL AND THE PROPRIETARY PROPERTY OF MILESTONE AV TECHNOLOGIES NEITHER THIS DESIGN NOR ANY INFORMATION CONTAINED IN THIS DRAWING MAY BE REPRODUCED OR DISCLOSED TO OTHERS WITHOUT THE EXPRESS WRITTEN CONSENT OF MILESTONE AV TECHNOLOGIES.

CAD GENERATED DRAWING, DO NOT MANUALLY UPDATE.			6436 CITY WEST PKWY EDEN PRAIRIE MN, 55344 PHONE: 866-977-3901 FAX: 877-894-6918
DRAWN BY	JAB	10/1/2018	
ENG APPROVAL			DESCRIPTION
MFG APPROVAL			ABSEN ACCLAIM SERIES LED, 2 HIGH MOUNT
QA APPROVAL			MODEL NO.
SHEET 2 OF 2			TIL1X2AA
SCALE	1:4	SIZE	DWG. NO.
		B	TECH-000954
			REV.
			00