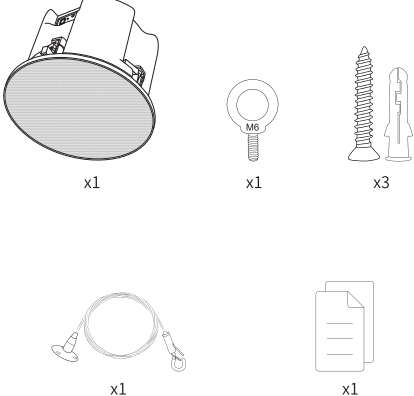
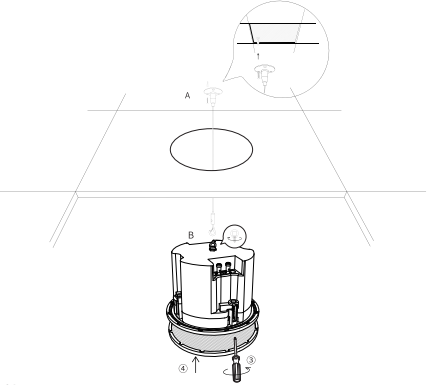


版本: V0

包装清单



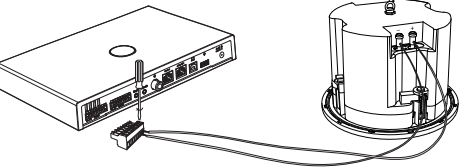
安装方式



吊绳悬挂

- 如图所示, 将吊环螺栓 (M6) 安装喇叭螺孔 (M10) 上。
- 使用配件中所附的钢丝绳 (可调节) 及螺丝, 将钢丝绳的A端钉在天花板上, 将B端连接到喇叭的吊环上, 调整钢丝绳的长度, 确保尺寸合适, 连接牢固。
- 用螺丝刀顺时针旋转4处螺丝, 使卡扣固定。
- 盖上网板, 安装完成。

连接方式



1. +端喇叭线接DSP中凤凰端子正极
2. -端喇叭线接DSP中凤凰端子负极

产品信息

尺寸	(∅)234 × (H) 164mm
规格	4Ω 15W
有效频率范围	F0-20KHz
音量	89 ± 3dB Sine Wave At 1 w, 1 m At 200, 400,600,800Hz (Average).
THD总谐波失真	<5%

重要安全提示

- 请仔细阅读本注意事项和产品使用说明书。
- 将产品交给第三方/他人使用时, 请务必随附使用说明书和注意事项。
- 仅可使用经制造商许可的加固件、附件和备件。
- 不得擅自拆开产品外壳。如果客户擅自打开产品, 保修自动失效。
- 若产品在运输过程中受损, 则不得将其投入使用。
- 防止产品及其接口接触任何液体和非运行所需的导电物品。
- 不得使用溶剂或腐蚀性清洁剂进行清洁。
- **小心:** 信号电平过高可能会损害您的听力和扬声器! 连接产品前, 降低已连接的播放设备的音量, 这样也能减少声反馈的风险。
- 如果房间内回音太大, 应考虑安装噪音消减设备, 以提高语音清晰度。
- 本产品如果放置在录音机、电视机、收音机、电脑和微波炉等设备附近时会产生干扰。
- 只能在技术参数中指定的工作条件下使用产品。

安装时需遵守以下安全提示:

- 装配和所有电子设备安装作业都必须由专业人员执行。
- 专业人员必须根据专业知识和经验并遵照相关规定和标准对交付的工作进行判断, 识别可能的危险及采取合适的安全措施。
- 安装时注意并遵守当地、国家和国际法规及标准。
- 为防止伤害, 产品必须按安装说明书的规定将设备牢固地固定在天花板上。

使用安全提示:

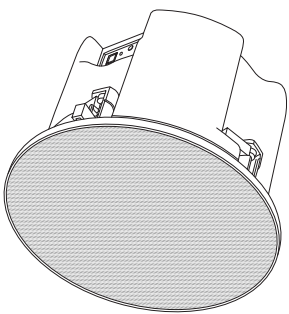
- **在室外使用**

为减少火灾或触电的风险, 不要将该设备暴露在雨水或湿气中。

- 在潮湿的地方设备不应暴露在有滴水或溅水环境中, 并且不应将装有液体的物体 (例如花瓶) 放在设备上。
- **维修说明**

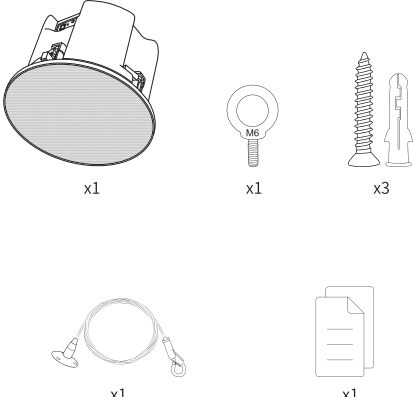
注意 - 为降低触电风险, 除非您有资格, 否则请勿执行操作说明以外的任何维修。

所有维修工作必须由具有专门资质的服务人员进行, 当产品收到任何形式的损坏, 液体或异物进入到产品内, 产品淋雨或受潮, 产品不能正常工作或意外跌落时, 必须执行维修工作。

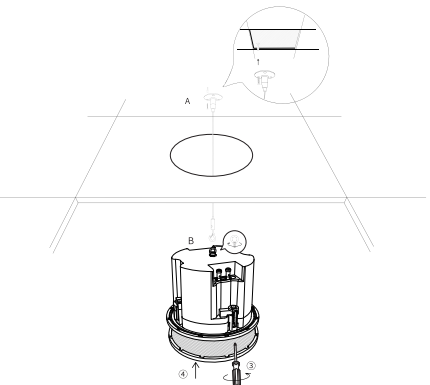


版本: V0

Packing List



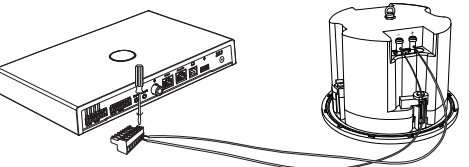
How To Install



The wire hanging

- Install the ring bolt (M6) on the horn screw hole (M10) as shown in the figure.
- In accessories, use the attached (adjustable) and screw, wire rope to nail the A end of the rope on the ceiling, will B end connected to the horn rings, adjust the length of the wire rope, to ensure that the appropriate size, firm connection.
- Rotate 4 screws clockwise with a screwdriver to secure the snap.
- Cover the screen and complete the installation.

Connection Method



1. The + end speaker wire is connected to the positive pole of the DSP Phoenix terminal
2. The - end speaker wire is connected to the negative pole of the DSP Phoenix terminal

Product information

Dimension	(∅) 234 × (H) 164mm
Rating	4Ω 15W
Effective frequency range	F0-20KHz
Speaker volume	89 ± 3dB Sine Wave At 1 w, 1 m At 200, 400,600,800Hz (Average).
THD (Total Harmonic Distortion)	<5%

WARNING

- Read these safety instructions and the instruction manual of the product.
- Always include this instruction manual and the safety guide when passing the product on to third parties.
- Only use attachments, accessories and spare parts specified by the manufacturer.
- Do not attempt to open the product housing on your own. The warranty is voided for products opened by the customer.
- Do not operate the product if it was damaged during transportation.
- Always run cables so that no one can trip over them.
- Keep the product and its connections away from liquids and electrically conductive objects that are not necessary for operating the product.
- Do not use any solvents or aggressive cleaning agents to clean the product.
- Caution: Very high signal levels can damage your hearing and your loudspeakers. Reduce the volume on the connected audio devices before switching on the product; this will also help prevent acoustic feedback.
- Consider installing acoustic treatment to improve speech intelligibility in rooms that are too reverberant.
- This product can interface with electrical equipment such as tape recorders, TV sets, radios, computers and microwave ovens if placed in close proximity.
- Use the product only under the conditions of use listed in the specifications.


SAFETY INSTRUCTIONS FOR INSTALLATION:

- The physical mounting and all electrical installations must be performed by a specialist.
- The specialist must have sufficient professional training, experience and knowledge of applicable provisions, regulations and standards to be able to properly assess the work assigned to them, identify possible hazards and take appropriate safety measures.
- When mounting the product, observe and follow all local, national and international regulations and standards.
- To prevent injury, the product must be securely fastened to the ceiling as specified in the installation instructions.

SAFETY TIPS:

- 1. FOR OUTDOOR USE:**
To reduce the risk of fire or electric shock, do not expose this apparatus to rain or moisture.
- 2. UNDER WET LOCATION:**
Apparatus should not be exposed to dripping or splashing and no objects filled with liquids, such as vases should be placed on the apparatus.
- 3. SERVICE INSTRUCTIONS:**
CAUTION - To reduce the risk of electric shock, do not perform any servicing other than that contained in the operating instructions unless you are qualified to do so. Refer all servicing to qualified service personnel. Servicing is required when the product has been damaged in any way, liquid has been spilled or objects have fallen into the product, when the product has been exposed to rain or moisture, does not operate normally, or has been dropped.

2012/19/EU (WEEE directive)



Products marked with this symbol cannot be disposed of as unsorted municipal waste in the European Union. For proper recycling, return this product to your local supplier upon the purchase of equivalent new equipment, or dispose of it at designated collection points.

技术要求:

文件名: ASP100_说明书_V1_20221028

外尺寸: 80*90mm

材质: 100g书写纸, 黑色印刷