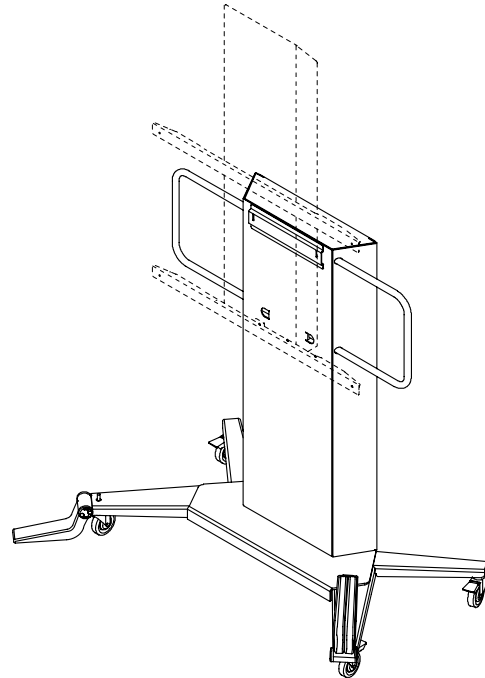


# SMART™



## *Service Parts Diagrams*

**For Model:  
FS-UX  
FS-UX-LTS**

## **Service Parts Diagrams Revision History**

### **Revision 1 - October, 2010**

- New document

### **Revision 2 - November, 2010**

- Remove 20-01273-21 and 52-00697-21

### **Revision 3 - December, 2010**

- Add FS-UX-LTS

### **Revision 4 - June, 2011**

- Add AK-00112-20

## **Standard Warranty Terms**

Base product: Two-year limited equipment warranty

First Customer Ship: September, 2010

---

### **SMART Technologies**

3636 Research Road NW

Calgary, AB T2L 1Y1

CANADA

Support +1.403.228.5940 or Toll Free 1.866.518.6791 (Canada/U.S.)

Support Fax +1.403.806.1256

ServiceParts@smarttech.com [www.smarttech.com](http://www.smarttech.com)



# Service Parts Diagrams for the FS-UX and FS-UX-LTS

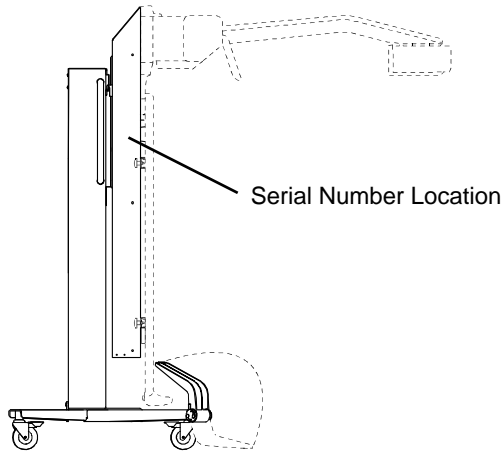
---

- Identifying Your Product Using the Serial Number ..... 1
- Ordering Parts ..... 1
- FS-UX Parts ..... 2
- HAWM-UX/UF Parts ..... 4
- Optional Laptop Shelf for FS-UX systems (Part No. FS-UX-LTS) ..... 5



## Identifying Your Product Using the Serial Number

To make sure that you have the correct service parts diagrams, you must verify the serial number of your FS-UX. The serial number is located on the right hand side of the pillar. An example of the serial number format is shown below.



**G012C204A0168**

Unique Serial Number

## Ordering Parts

### Customers

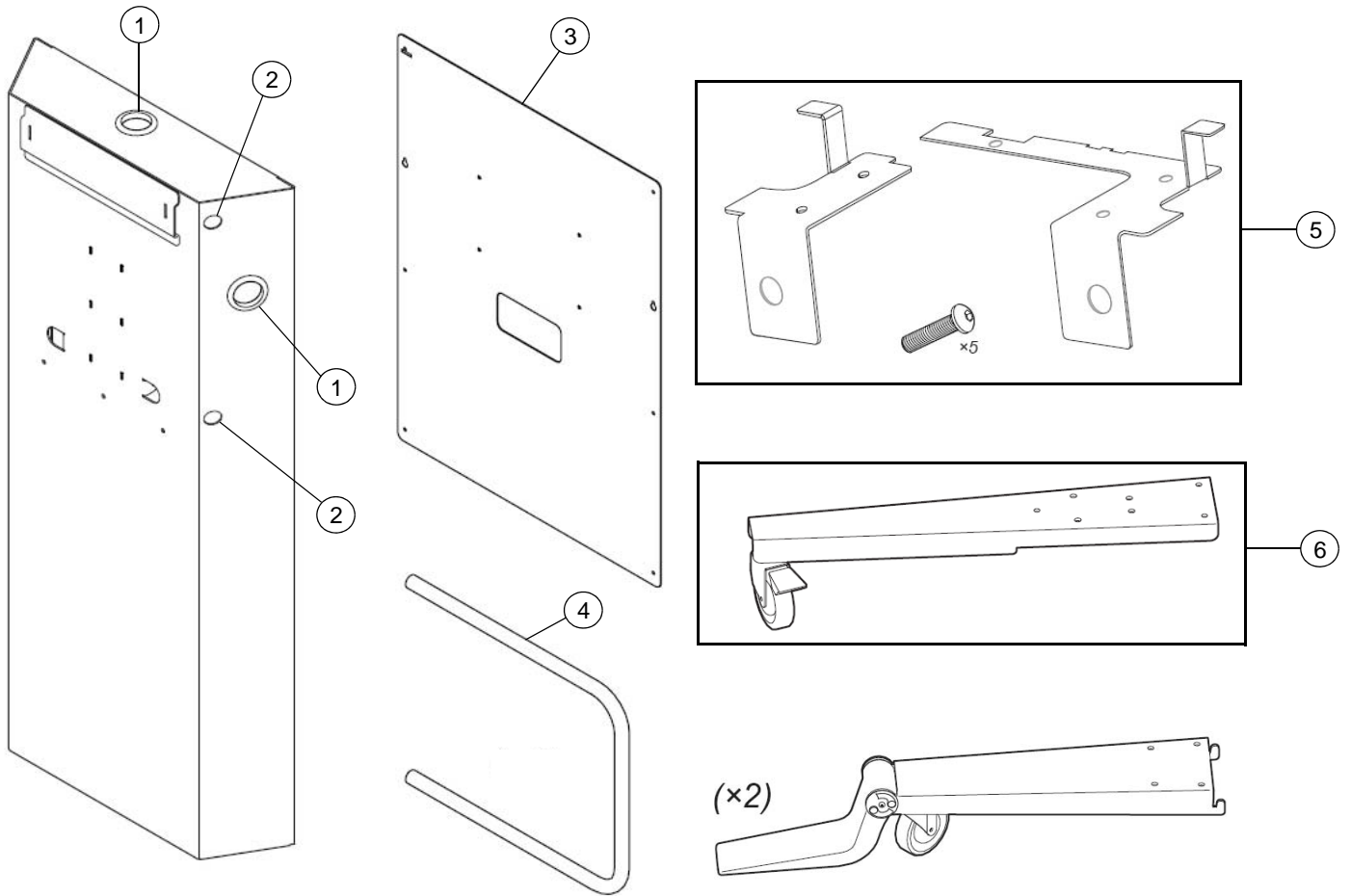
To order any of the parts in these service parts diagrams, contact your local reseller. To find a reseller near you, visit [www.smarttech.com/where](http://www.smarttech.com/where).

### Dealers and Distributors

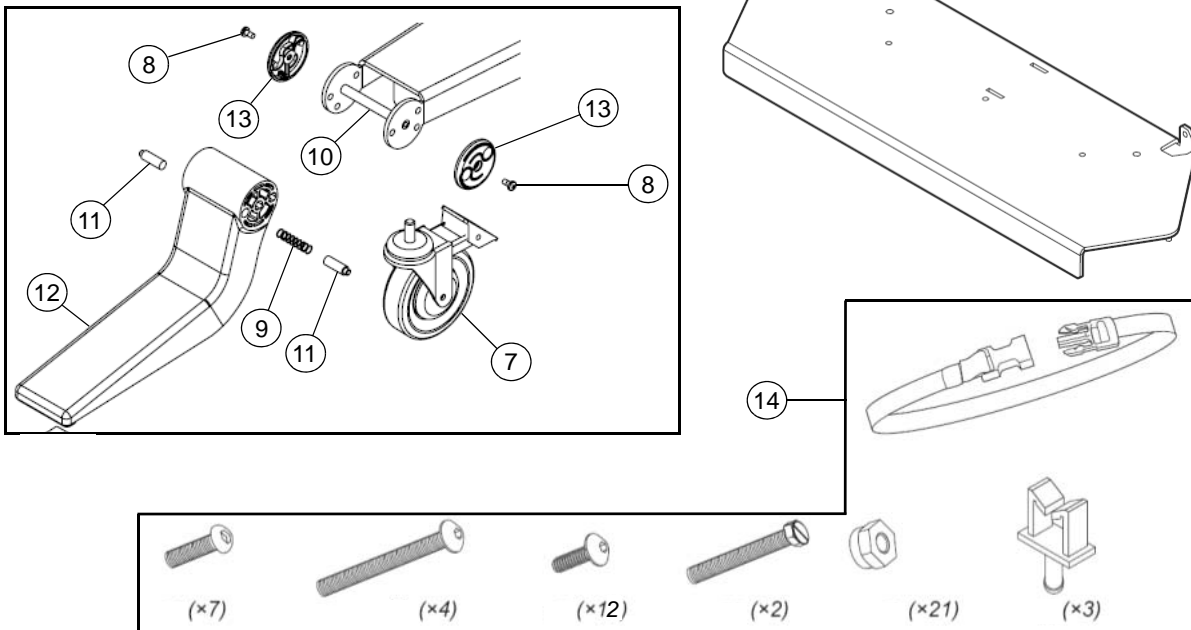
For specific technical and pricing enquiries in regards to these diagrams please contact our service parts department. Pricing is also available on-line via the SOURCE website ([source.smarttech.com](http://source.smarttech.com)).

E-mail: [serviceparts@smarttech.com](mailto:serviceparts@smarttech.com)  
Phone: 1.888.42.SMART  
International: +1.403.245.0333

# FS-UX Parts

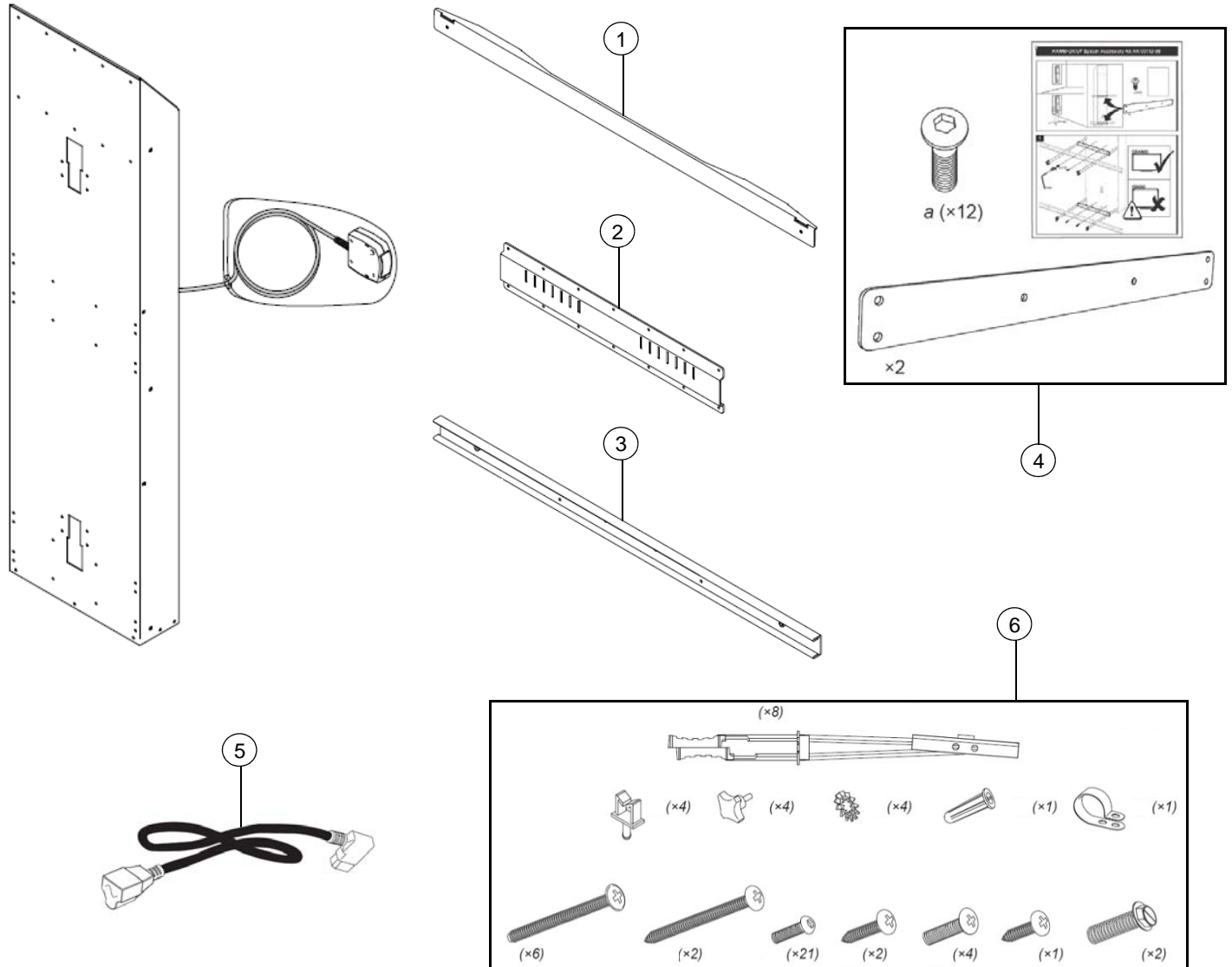


## Tip Foot Detail



<b>Item</b>	<b>Part No.</b>	<b>Qty</b>	<b>Description</b>
1	30-01181-20	3	Grommet, cable
2	52-00716-20	4	Grommet, grab handle
3	51-00819-20	1	Cover, pillar
4	51-00823-20	2	Bar, grab, vertical
5	AK-00111-20	1	Assembly, accessory kit, FS-UX guarding
6	20-01274-21	2	Assembly, rear leg, FS-UX
7	10-00027-20	4	Castor, 4" (100 mm), locking
8	30-01340-20	4	Screw, M5 x 10 mm, Phillips, locking
9	30-01334-20	2	Spring, compression
10	51-00827-20	2	Shaft, foot, tip
11	51-00828-20	4	Pin, locking, foot, tip
12	52-00696-20	2	Foot, tip
13	52-00697-20	4	Button, foot, tip
14	20-01348-20	1	Assembly, accessory kit, FS-UX, hardware

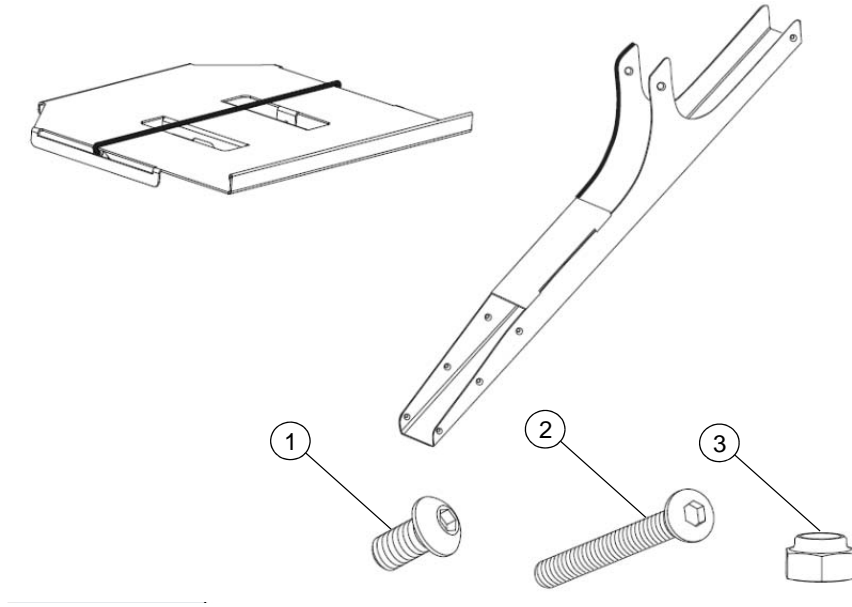
# HAWM-UX/UF Parts



Item	Part No.	Qty	Description
1	51-00831-20	2	Bracket, mounting, board
2	51-00829-21	1	Bracket, wall mount
3	51-00830-20	2	Bracket, mounting, pillar
4	AK-00112-20	1	Accessory kit, SB800 spacer
5	93-00782-20	1	Cable, power, North America, right angle, 8' (2.4 m)
5	93-00783-20	1	Cable, power, United Kingdom, right angle, 8' 2" (2.5 m)
5	93-00784-20	1	Cable, power, Europe, right angle, 8' 2" (2.5 m)
5	93-00785-20	1	Cable, power, Australia, right angle, 8' 2" (2.5 m)
5	93-00786-20	1	Cable, power, Japan, right angle, 8' 2" (2.5 m)
5	93-00787-20	1	Cable, power, China, right angle, 8' 2" (2.5 m)
5	93-00788-20	1	Cable, power, Korea, right angle, 8' 2" (2.5 m)
6	20-01346-20	1	Assembly, accessory kit, HAWM-UX/UF, hardware



## Optional Laptop Shelf for FS-UX systems (Part No. FS-UX-LTS)



Item	Part No.	Qty	Description
1	30-01221-20	3	Screw, M5 x 8 mm, hex, button head
2	30-01387-20	2	Screw, M5 x 35 mm, hex, button head
3	30-01138-20	2	Nut, M5, hex, locking, nylon

**NOTE:** All other components not available separately.