



High Fidelity Radiogram  
R7 mk3

User guide

EN

Brugervejledning

Bedienungsanleitung

Guía del usuario

Guide de l'utilisateur

Manuale dell'utente

Gebruikershandleiding

Brukerveiledning

ruarkaudio

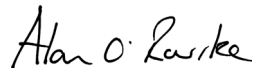
Thank you for choosing our R7 mk3 High Fidelity Radiogram.

Inspired by classic mid-century design, the R7 is an evolution of our original iconic design and with its stunning looks and amazing audio quality, we guarantee that you'll be rediscovering the joy of music all over again.

Please take the time to read this user guide as it will help you get the best from your R7.

With due care, we're confident your R7 will give you many years of listening pleasure and if you should you need any help or advice, please do not hesitate to contact us. As a British, family-run company, we pride ourselves on our customer service and will always do our utmost to help.

Once again, thank you for choosing Ruark Audio.

A handwritten signature in black ink that reads "Alan O'Rourke". The signature is written in a cursive, flowing style.

Alan O'Rourke  
Founder and managing director

# Contents

What's in the box	4	Spotify Connect	25
Controls	5	Line in and optical	26
Overview	6	Phono	26
Fitting legs or feet	7	Input level adjustment	26
Getting started	8	Multi-room	27
Common functions	10	App control	28
System settings	13	Alarms, snooze and sleep	28
FM radio	15	Specifications	29
DAB radio	16	Safety and regulatory information	30
Internet radio	17	Troubleshooting	31
CD player	19	Guarantee information	32
Bluetooth	20	General care	32
Music player	22	Copyright and trademarks	32
DLNA media streaming	24		

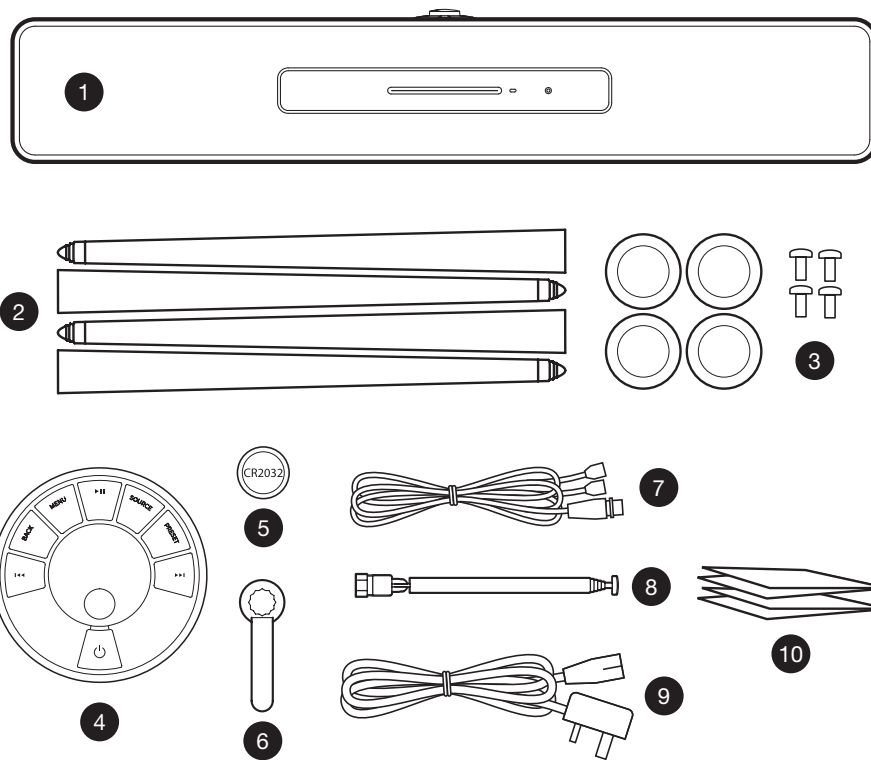
# What's in the box

Ensure that all parts listed below are in the box.

If any part is missing, do not use the R7 and contact us directly if purchased in the UK, or your Ruark Audio dealer if purchased outside the UK.

1. R7
2. Four spindle legs
3. Four feet & fixing screws
4. Remote control
5. Remote battery (CR2032)
6. Antenna spinner
7. Wire antenna
8. Telescopic antenna
9. Mains power cord
10. User guide & other documents

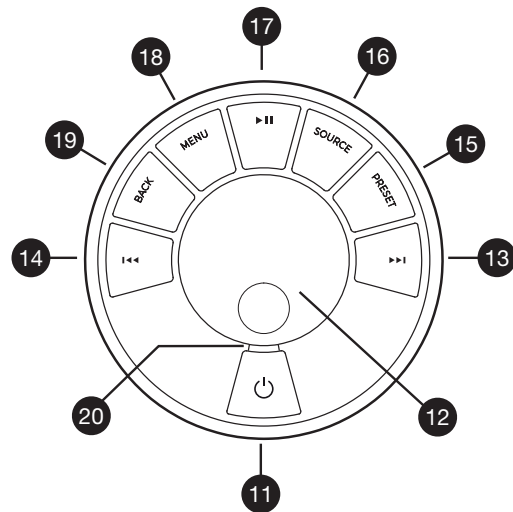
If possible, please retain the carton and all packaging materials.



# Controls

The controls on the R7 are exactly the same as on the remote control.

11. **⏻ – STANDBY**
12. **CONTROL KNOB / SELECT**  
Rotate to adjust volume from a Now Playing screen  
Rotate to browse menus, tracks or station lists\*  
Press to **SELECT**
13. **▶▶ –** press to skip to next station or track, press and hold to fast forward
14. **◀◀ –** press to skip to previous station or track, press and hold to rewind
15. **PRESET** – press to recall a saved station or press and hold for two seconds to save a radio station
16. **SOURCE** – press to change audio source
17. **▶|| –** press to play/pause a track or mute audio inputs and radio
18. **MENU** – press to view the menu
19. **BACK** – press to return to the previous menu or list screen
20. **INDICATOR LIGHT**  
On the R7 it indicates your music system is on and flashes when Bluetooth is ready to pair or when using the remote.  
On the remote it flashes when pressing a key or using the control knob and when the battery is low, the light will change from blue to amber.



RU

\*You can also press ▶▶ or ◀◀ to browse menus, tracks, sources or station lists

---

*How long you press a key is important*

*Press = tap or press and immediately release*

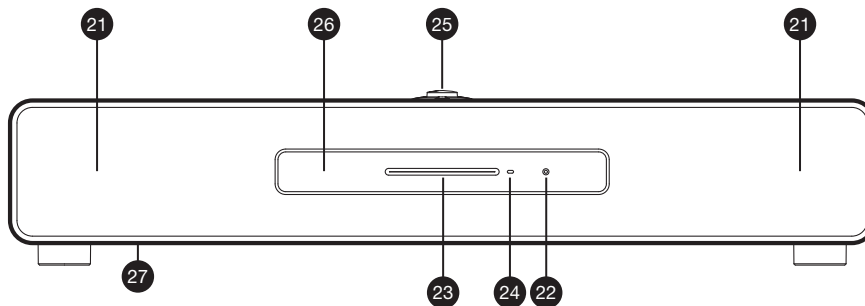
*Press and hold = press and release after two seconds*

---

# Overview

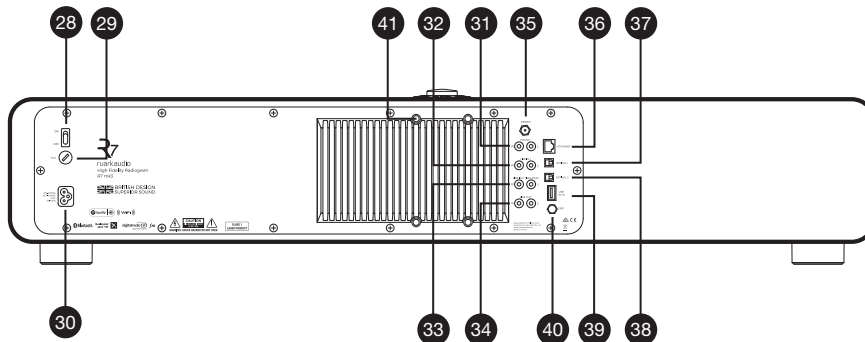
## Front

- 21. Dual concentric stereo drivers
- 22. Headphone out (3.5mm jack)
- 23. CD loading slot
- 24. CD eject button
- 25. Controls
- 26. OLED Display
- 27. Subwoofer



## Back

- 28. Mains power switch
- 29. Mains power fuse
- 30. Mains power cord inlet
- 31. Phono input
- 32. Line in 1
- 33. Line in 2
- 34. Line out
- 35. DAB-FM antenna
- 36. Ethernet
- 37. Optical input 1
- 38. Optical input 2
- 39. USB
- 40. Grounding terminal
- 41. AV mount fixing points (4xM8)



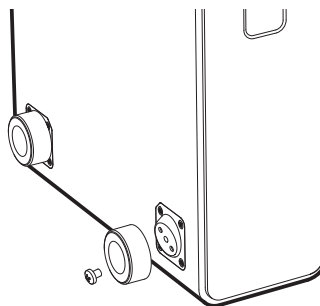
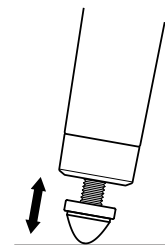
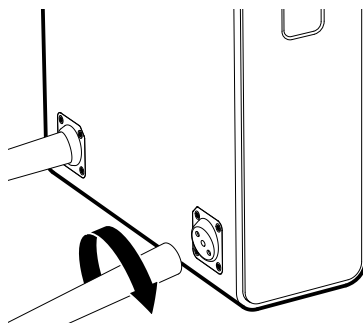
## Fitting legs or feet

**Get help with moving your R7 as it is heavy and easily damaged!**

Carefully take your R7 out of its protective bag and place it on its side on a stable, clean and non-marking surface like a rug or the bag.

To mount your R7 on legs, screw the four legs into the mounting plates on the underside of the cabinet and hand-tighten each leg so that it is secure but take care not to overtighten. Carefully turn your R7 over and move it into its final position and, if necessary, adjust the leg tips to ensure it is completely stable.

To mount your R7 on feet, place a foot onto each of the four mounting plates on the underside of the cabinet, ensuring each is correctly aligned. Use a suitable screwdriver to secure them with the screws provided. Carefully turn your R7 over and place it on a suitably strong and secure surface.



---

*Take care not to damage the speaker grilles when moving your R7.*

---



---

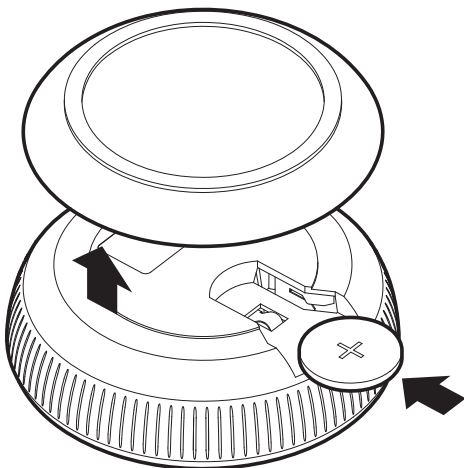
*The R7 is heavy and improper handling can result in damage or personal injury.*

---

# Getting started

## 1 Fit remote battery

Gently pull off the magnetic steel base and with the remote face down, slide the battery (type CR2032) into the slot, ensuring the flat side marked with + faces up. Replace the steel base.



---

*Please note that the remote may not work until it is paired with the main system (see step 6).*

---

## 2 Connect the aerial

Fit either the wire or telescopic aerial to the DAB/FM antenna socket on the back of your R7 and gently tighten it using the supplied spanner. Use the aerial that works best for you although for best reception we highly recommend using an external, professionally installed, aerial.

## 3 Connect to AC mains

Plug the mains power cord into the mains power socket on the back of your music system and then plug it into an AC mains outlet.

## 4 Switch on

Switch the mains power switch on the back of your music system to the ON position. Your R7 is now in standby.

To turn your R7 on, press **STANDBY** on the controls on the cabinet and the R7 logo will appear on the screen.





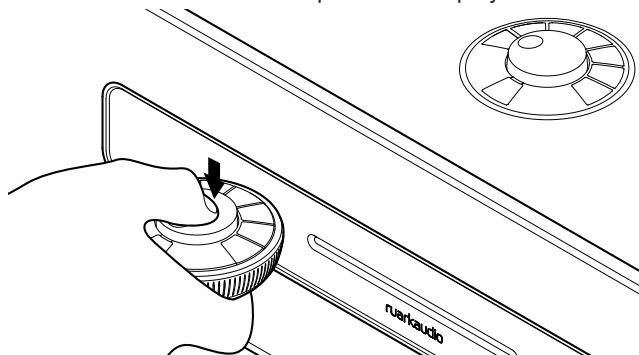
## 5 Select language

Rotate the **CONTROL KNOB** until your preferred choice is highlighted, then press **SELECT**.



## 6 Pair your remote

When you are prompted to pair your remote control, hold it very close to the display and then press and hold **SELECT** on the remote until "Remote paired" is displayed.



Press **SELECT** to continue.

You won't normally need to pair it again but if you do, simply hold it very close to the screen and press and hold any key until you see the confirmation message. You can do this in any mode.

## 7 Setup wizard

When you turn on your R7 for the first time, setup wizard will help you configure the clock and connect to your network.



To start the setup wizard, rotate the **CONTROL KNOB** to highlight **YES** and then press the knob to **SELECT**. If you choose **NO**, your R7 will start without configuring time/date and network settings.

## 8 Select a source

When your setup is complete, your R7 will display a menu with a list of the available sources. Use the **CONTROL KNOB** to choose a source and press **SELECT**.

## 9 Enjoy your music!

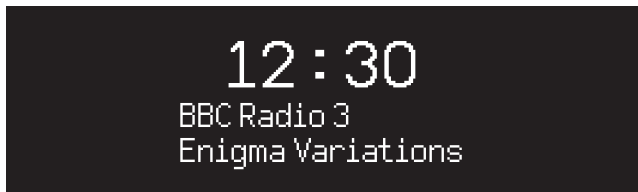
## Common functions

### Switch on and to standby

Press **STANDBY** to turn your music system on. Press again to switch to standby.

### Now Playing screens

Unless you're adjusting a setting, the screen will look similar to the example below with the clock above and station/track/album/artist information below.



The on-screen icons below are shown when their respective functions are active.



Alarm

Shuffle



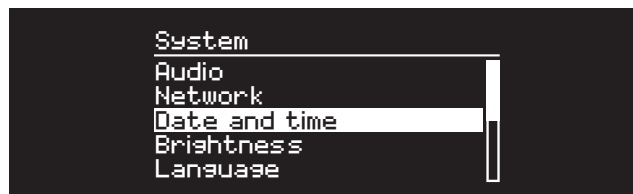
Sleep timer



Repeat

## Menu screens

The menus enable you to set the various options such as adjusting the bass and treble. To change a setting, press **MENU** to display the list of available options, rotate the **CONTROL KNOB** to highlight the one you wish to change, then press the knob to confirm your selection.



### Browsing menus, track and station lists

To change settings – press **MENU**

To scroll through options – rotate **CONTROL KNOB**

To select option – press **CONTROL KNOB**

To exit menu – press **MENU** or wait for a few seconds

To return to the previous menu/list – press **BACK**

---

*How long you press a key is important*

*Press = tap or press and immediately release*

*Press and hold = press and release after two seconds*

---

## Adjust volume

Rotate the **CONTROL KNOB** from any Now Playing screen. Speaker volume and headphone volume are adjusted separately, so when headphones are plugged in the volume is shown as *Volume (HP)*.

NOTE: rotating the **CONTROL KNOB** when a menu or track/station list is displayed will scroll through the menu and not change the volume.

## Change audio source

Press **SOURCE** to view the current source, rotate the **CONTROL KNOB** to cycle through the list of sources, then press the knob to select one currently displayed. (You can also press **SOURCE** repeatedly to cycle through the list of sources instead of rotating the knob.)



Internet radio

## Multi-room

This device is fully compatible with Ruark Audio multi-room and enables you to stream music seamlessly from one room to another. See 'Multi-room' section for more details.

## Pause track or mute audio

Press ►|| and then press again to resume listening.

## Play next/previous track

Press ►►I to skip to the next track in the folder or album, press I◄◄ to skip to the start of the current track, press again to skip to the previous track.

## Fast forward or rewind track

Press and hold ►►I or I◄◄ (may not work with Bluetooth).

## Change FM radio station

Press ►►I or I◄◄ to seek the next or previous station. See 'FM' section for more details.

## Change DAB radio station

Press ►►I or I◄◄ to tune to the next or previous station. You can also view the multiline station list by selecting **MENU > Station list**.

See 'DAB' section for more details.

## Change station or track information

Change the station/track information displayed by selecting one of the options from **MENU > Info**.

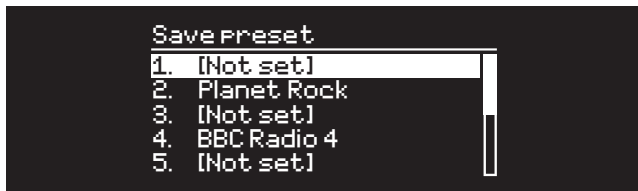
---

*To return to the previous menu level or station list, press BACK*

---

## Save radio station preset

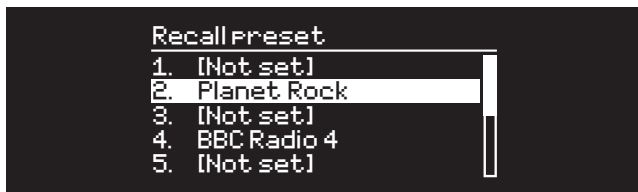
Press and hold **PRESET** until 'Save preset' is shown then rotate the **CONTROL KNOB** to choose the preset number and press the knob to save the current station. Presets are either marked with the station name, frequency or as '[Not set]'.



If you save a station over an existing preset, the new station will replace it.

## Recall radio station preset

Press **PRESET**, rotate the **CONTROL KNOB** to scroll through the preset station list, then press the knob to select a station.



## Connect a Bluetooth device

When you change the source to Bluetooth, your R7 will attempt to automatically connect to the last connected device. If you have not yet paired your device or the previous device is not available, your R7 will enter into pairing mode. See 'Bluetooth' section for more details.

## Headphones

Connect your headphones to the 3.5mm stereo jack socket on the front of your R7.

Headphone volume is adjusted independently from speaker volume, so when headphones are plugged in the volume is shown as *Volume (HP)*.

## USB charging

The USB socket on your R7 is rated at 5W (5V 1.0A) and will power most smart devices and USB powered accessories.

---

Please note that: **MENU > System > Audio** means press **MENU**, select **System** and finally select **Audio**

---

# System settings

## Bass, treble and sub

**MENU > System > Audio > Bass, Treble or Sub level**

Adjust the bass and treble levels using the **CONTROL KNOB** then press it to save the setting.

## Loudness

Loudness automatically boosts the treble and bass frequencies at lower volumes.

**MENU > System > Audio > Loudness**

## 3D sound

3D widens the stereo sound stage and creates a more immersive and involving sound.

**MENU > System > Audio > 3D**

## Date and time

**MENU > System > Date and time**

The time and date are automatically synchronised with national time signals broadcast over DAB, network and FM (FM time synchronisation may not always be available).

You can also set the time manually by turning auto update off and change the time and date format.

## Display brightness

**MENU > System > Brightness**

Independently adjust the brightness of the display when your R7 is on and in standby.

When the brightness is set to 0 the display will automatically switch off after a few seconds. The display will then briefly illuminate whenever any key is pressed.

You can also adjust the standby brightness when your R7 is in standby by pressing **▶▶** or **◀◀**.

## Language

**MENU > System > Language**

Change the menu language.

## Software update

**MENU > System > Software update**

Your R7 is set to automatically check for software updates. If one is available, you will be asked whether you want to download and install it.

**CAUTION:** Disconnecting the power during a software update could permanently damage your R7.

## Factory reset

**MENU > System > Factory reset**

Resets all settings and clears presets.

---

*Currently saved settings are marked with an asterisk (\*)*

---

## Setup wizard

### **MENU > System > Setup wizard**

Runs the setup wizard to guide you through setting up the clock and network.

## Inactive standby

Your R7 is set to automatically switch itself to standby if there is no audio for more than 20 minutes. To change this select **MENU > System > Inactive standby**.

## Network wizard

For a guided process to help you connect to a wired or Wi-Fi network, select **MENU > System > Network > Network wizard**.

## Network profiles

Your R7 will automatically attempt to connect to any network it has previously connected to.

To see the list of saved networks, select **MENU > System > Network > Network profile**. To delete an unwanted network, highlight it, press the **CONTROL KNOB** and select **YES**.

## Keep network connected

### **MENU > System > Network > Keep connected**

Choose whether your R7 always remains connected to your network, even in standby (default). We recommend you set it to *keep connected* as it will ensure your R7 is always accessible using Spotify or DLNA music streaming. We also recommend this if you have set your clock to update from Network.

## System information

Shows details of your R7 including the software version, unique radio ID code and friendly name.

## Advanced network settings

There are other advanced network settings for experienced users for manual configuration or diagnosing and fixing network problems.

## Friendly name

The friendly name is how your R7 shows up on networks, Spotify and Bluetooth. You can change this to something more descriptive like “Archie’s R7” or “Living room R7”.

You can view your R7’s status and change its friendly name by viewing its web page in a browser. In Windows, your R7 will typically show up as a Media Device, double clicking on the icon will open the configuration page in your browser.

For more information visit [www.ruarkaudio.com/support](http://www.ruarkaudio.com/support)

## FM radio

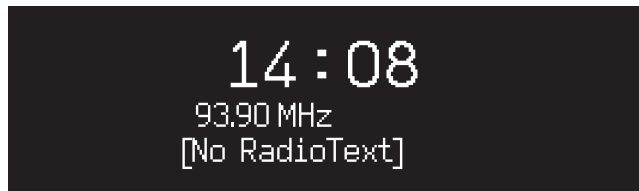
When listening to FM, your R7 displays the station name and other RDS/RBDS\* programme information when available.

*\*Radio Data System/Radio Broadcast Data System*



### Change station

Press ►► or ◀◀ to automatically tune to the next available FM station. If RDS/RBDS is unavailable the frequency is displayed instead.



### Scan setting

You can change the scan setting to only stop at stations with a strong signal by selecting **Menu > Scan setting > Strong stations only**.

## Programme information

Choose from radio text, programme type, frequency, signal strength and date by selecting **MENU > Info**.

### Manual tune

Select **MENU > Manual tune** then either rotate the **CONTROL KNOB** or press ►► or ◀◀ to change the frequency.

### Save preset

You can store 10 FM stations in your preset list. The station name will be stored only when RDS/RBDS is available. See 'Common functions' section.

### Recall preset

See 'Common functions' section.

### Mono

As an FM signal becomes weaker, the level of hiss will increase. To reduce this, select **Menu > Mono**.

---

*To further reduce hiss on weaker FM stations, we recommend turning 3D sound OFF*

---

## DAB radio

When listening to DAB/DAB+, your R7 displays the station name and other DLS\* programme information when available.

The first time you use your R7, or if the station list is empty, it will automatically perform a full scan to identify available stations.

\*Dynamic Label Segment

### Change station

Press **▶▶** or **◀◀** to tune to the next/previous station.

### Station list

To view a list of available DAB stations select **MENU > Station list** or press **▶▶** or **◀◀**. Highlight the station you wish to listen to and press **SELECT**.



### Programme information

Choose from radio text, programme type, signal strength, signal format and date by selecting **MENU > Info**.

### Save preset

You can store 10 DAB stations in your preset list. See 'Common functions' section.

### Recall preset

See 'Common functions' section.

### Secondary services

Some DAB radio stations have one or more secondary stations associated with them. If a secondary station is available '>>' is shown after the current station name in the station list.

Secondary stations are indicated with '<<' before the station name.

### Station order

The DAB station list can be ordered by *Alphanumeric*, *Ensemble* or *Valid*. *Alphanumeric* puts the stations in alphabetical order, *Ensemble* groups stations from the same broadcaster together, *Valid* shows available stations first and places invalid stations (marked with '?') last.

To change station order, select **Menu > Station order** and select **Alphanumeric** (default), **Ensemble** or **Valid**.

---

*Invalid stations have '?' in front of the station name*

---



## Station scan

If the station list is empty the radio will automatically perform a full scan as soon as you switch to DAB.

In any case, we recommend you do a full scan from time to time to update the station list because:

- New stations sometimes become available
- Stations close or may no longer be received
- Reception was poor during the original scan (for example the aerial wasn't properly fitted)
- You move the radio to a different region

To do a full scan, select **MENU > Scan**.

## Remove weak or invalid stations

Weak (burbling) or invalid stations have '?' in front of the station name and can be removed by selecting **MENU > Prune invalid**.

## Internet radio

Your R7 can play thousands of internet radio stations and podcasts from all over the world (internet connection required).

### Main menu

The first time you listen to internet radio you will see the main menu for this mode.



If you have listened to internet radio stations on your R7 before, it will automatically play the last listened station.

### Last listened

To access a list of recently listened to stations select **MENU > Last listened**.

When you use your R7 for the first time, the list will be empty.

### Station list

You can browse or search the extensive list of stations by selecting **MENU > Station list** and selecting from the various options, including genre, location and popularity.

## Now playing information

The station name is shown along with additional information like artist and track name. To change what is displayed select **MENU > Info** and choose from radio text, genre, signal quality, track name, location, and date.

## Search for a station

Search for a station by selecting **MENU > Station list > Stations > Search stations** and then entering the name of the station you're looking for.

## Podcasts

Many stations will have associated podcasts which you can browse and search for just like internet radio stations.

## Mute

Press **▶||** to mute and press again to resume listening.

## Save a preset

You can store 10 Internet radio stations in your preset list. See 'Common functions' section.

## Recall a preset

See 'Common functions' section.

## Ruark radio portal

In addition to presets, *Internet radio* has two further ways of storing and organising your favourite radio stations using the online Ruark radio portal.

Visit **[www.ruarkaudio.com/radiportal](http://www.ruarkaudio.com/radiportal)** for more information.

You will need the your radio's unique portal access code so make a note of it by selecting **Menu > Station list > Help > Get access code**.

## My favourites

This is similar to storing presets, except that the stations are stored online, on the Ruark radio portal. This means that your saved favourite stations are accessible from any Ruark internet radio product registered on the same account.

To store a station as a favourite, press and hold the **CONTROL KNOB** until *Favourite added* is displayed. This is only available if you have registered your R7 on the radio portal.

## My added stations

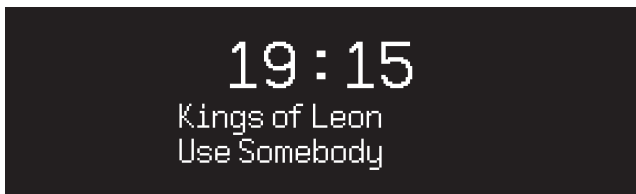
You can manually add stations that are not already listed by visiting the online Ruark radio portal. Stations added this way are accessible by selecting **MENU > Station list > My added stations**.

## CD player

To insert a CD, gently push it into the CD slot. Once loaded it will play automatically.

### Now playing information

Generally, track number and time is shown on audio CDs and track and album name is shown on MP3 CDs.



To change what is displayed select **MENU > Info** and choose from album and artist information, progress bar or filename (options will vary according to the type of CD).

### Play / Pause

Press ►|| to play or pause a track

### Stop play

Long press ►||

### Skip track

Press ►| or |◀ to skip to the next or previous track

### Fast-forward or rewind

Press and hold ►► or ◀◀ to fast-forward or rewind

## Eject

Press the eject button next to the CD slot

## Shuffle

To play tracks in random order select

**MENU > Shuffle > On**

## Repeat

To repeat a single track or all tracks, select

**MENU > Repeat > One or All**

---

*Any folder structure on MP3/WMA/AAC disks will be ignored and the tracks will show in a single list*

*Rights-protected WMA and AAC cannot be played*

---

## Bluetooth

Your R7 supports aptX for CD quality streaming and aptX HD for 24-bit hi-res streaming. It will automatically connect to your bluetooth device using the highest quality connection supported by your device.

### Pairing your Bluetooth device

When you have changed the source to Bluetooth, wait until *Awaiting connection...* is shown and the indicator light on top flashes.

Use the Bluetooth setup on your smart device to pair and connect it to your R7. It will appear in the list of paired devices as *Ruark R7\**. When connected, *BT Connected + your device name* (eg Archie's phone) is displayed.

It may take a few seconds for your R7 to appear in the list on your device, and in some cases you may need to input "0000" as the pairing password.

If you do not connect within a few minutes, your R7 will stop attempting to connect and show *No connection*. To connect, select **MENU > Connect device**.

### Connecting your Bluetooth device

As soon as you switch to Bluetooth, your R7 will display *Connecting* as it attempts to connect to the last device it was paired with.

If that device isn't available, it displays *Awaiting connection...* To connect to your R7, ensure the Bluetooth function on your device is on and select *Ruark R7\** from the paired devices list on your Bluetooth device.

### Friendly name

\*Your R7 will shown up as Ruark R7 on Bluetooth devices, however, you can change this to something more descriptive like "Archie's R7" or "Living room R7". See 'System settings'.

### Play audio

Once connected, audio from your Bluetooth device will play through your R7. For more information on playing audio from your Bluetooth device, refer to your device's documentation.

NOTE: you may need to select your Ruark R7 or Bluetooth as your audio output on your device.

### Pause track

Press **▶||** and then press again to play.

### Play next/previous track

Press **▶▶|** to skip to the next track in the folder or album, press **||◀◀** to skip to the start of the current track, press again to skip to the previous track.

### Adjust volume

We recommend that you adjust the volume on your Bluetooth device so that the playback volume is about the same as other sources. You can then use the volume control on your R7 to adjust overall playback volume.

### Now Playing information

Artist, album and track name will show if your Bluetooth device and app support Bluetooth metadata. You can also show the name of the connected device. Select what is shown from **MENU > Info**.

## Operating range

This is typically up to 10 metres (30 feet) from your R7, although obstructions such as walls will reduce this.

## Connect device

To disconnect the current device and connect a new one, select **MENU > Connect device**.

## Pairing additional devices

You can pair up to 7 devices, although you will only be able to play audio from one device at a time.

## Clearing the paired devices list

If you are having trouble connecting your Bluetooth device, we recommend you clear all pairing information. To do this, select **MENU > Clear devices**.

You will also need to delete *Ruark R7* from the paired devices list on your Bluetooth device before pairing it to your R7 again.

For more information visit [www.ruarkaudio.com/support](http://www.ruarkaudio.com/support)

---

*You cannot use the Bluetooth function on your R7 to connect to Bluetooth headphones*

---

## Music player

Music player enables you to play audio files stored on a computer on your network, a USB memory stick or portable hard drive.

### USB music player

To play audio from a USB mass-storage device (must be FAT32 format) such as a USB Flash stick or USB hard drive, connect it to the USB socket on the back of your R7.

When you first connect a USB mass-storage device, your R7 will automatically ask if you want to view the track list. Otherwise, to view the track list select **Menu > USB**.



### Network music player

Your R7 is fully DLNA compatible and will play music stored in shared media libraries on other devices on your network. A shared library might be on a laptop, smartphone or tablet, but it could also be on a dedicated music server such as a NAS drive (Network Attached Storage).

Most computers running Windows are already configured as media servers as are most NAS drives and some routers will

also work as media servers. There are many apps available for Mac, iOS, Linux, Android, Windows phone, Blackberry, Symbian, etc. that will turn your MP3 player, smartphone or tablet into a music server.

To play music shared by devices on your network select **Menu > Shared media**. After your R7 has scanned your network for shared media you will see a list of music servers consisting of the computer name and shared media name, for example *<Ruark-Laptop: Archie Music>*.

The menus after this are generated by the media server, although in most cases you will find options to browse by genre, folder, artist, album etc.

If your R7 is not connected to a network it will attempt to connect.

For more information visit [www.ruarkaudio.com/support](http://www.ruarkaudio.com/support)

### Browse and play music

Rotate the **CONTROL KNOB** to scroll through the track lists, then press the knob to open the highlighted folder/album or play the track.

To go back to the previous screen press **BACK**.

### Pause track

Press **▶||** and then press again to play.

---

*Rights-protected WMA and AAC tracks cannot be played on your R7.*

---

## Skip track

Press **▶▶** to skip to the next track in the folder or album, press **◀◀** to skip to the start of the current track, press again to skip to the previous track.

## Fast-forward or rewind

Press and hold **▶▶** or **◀◀** to fast-forward or rewind.

## Shuffle

To play tracks in random order, select **MENU > Shuffle** and press the **CONTROL KNOB** to toggle shuffle play on and off.

NOTE: It may not be possible to use this function if the folder contains a large number of tracks.

## Repeat

To repeat a single track or all the tracks in the current folder, select **MENU > Repeat** and press the **CONTROL KNOB** to choose one, all or off.

## My playlist

You can create your own playlist and queue of up to 500 tracks. These can be a mixture of tracks from any available media servers and an attached USB device. To manage your playlist, select **Menu > My playlist**.

To add a track or folder to your playlist, highlight it then press and hold the **CONTROL KNOB** for two seconds.

To remove a track from your playlist, highlight the track in My playlist and then press and hold the **CONTROL KNOB** for two seconds.

Please note that your playlist will be stored as long as your R7 remains on or in standby but will be cleared if you turn it off.

## Now Playing information

Typically, the track name is shown with additional information below. To change what is displayed select **MENU > Info** and choose from album and artist information, show the progress bar or data format.

## Prune servers

Your R7 will automatically store the name of media servers it has connected to and that are not currently available are shown with a question mark before their name eg '*?Home-Laptop*'. You can remove them from the list by selecting **MENU > Prune servers > YES**.

## DLNA media streaming

You can also stream audio to your R7 from a Digital Living Network Alliance (DLNA) compatible media server. This is where you browse for music on the server itself and play it through your R7. There are many apps available for Mac, iOS, Linux, Android, Windows phone, etc that will turn your smartphone, tablet or laptop into a DLNA media server. Windows Media Player even has a 'Play to' function built in that allows you to stream music stored on your computer directly to your R7.

With DLNA media streaming, your R7 functions as a Digital Media Renderer (DMR) so you browse for music on your smartphone or laptop and then stream it to your R7 over your network.

Your R7 will automatically change to DMR mode when you select your R7\* as your chosen player – DMR is not a mode that can be selected using the **SOURCE** key.

Similarly, all the Now playing information will be controlled by the server so there are no settings you can change.

For more details refer to the documentation for your device or app or visit [www.ruarkaudio.com/support](http://www.ruarkaudio.com/support).

---

*DLNA media streaming requires that your R7 is connected to your network so we recommend that you set it to keep network connected. See system settings section.*

---



# Spotify Connect



*Spotify Premium subscription required, for more details, visit [www.spotify.com/premium/](http://www.spotify.com/premium/)*

## Listen out loud with Spotify Connect

1. Connect your **Ruark R7 mk3** to your wifi network.
2. Open up the Spotify app on your phone, tablet or laptop using the same wifi network.
3. Play a song and select **Devices Available**.
4. Select your **Ruark R7 mk3** and start listening.

For more information visit [www.spotify.com/connect/](http://www.spotify.com/connect/)

---

*Your R7 must be connected to the internet in order to use Spotify Connect. Please ensure the option 'keep network connected' is set to On. See 'system settings' section.*

---

## Line in and optical

You can listen to audio from an external analogue audio source by connecting it to Line in 1 or 2 or a digital source by connecting it to Optical 1 or 2.

## Phono

Your R7 includes a high-fidelity phono stage pre-amplifier for use with a moving magnet (MM) turntable cartridge.

It is not designed for a moving coil type cartridge.

To connect a turntable to your R7, we recommend high quality phono leads.

## Input level adjustment

For best audio performance, we recommend you balance the volume level of an external device (eg portable music player or turntable) so its volume is about the same as inbuilt sources like CD or USB.

If the volume is lower, increase the input level.

If the volume is higher or distorts, decrease the input level.

You can adjust the input level by selecting **MENU > Input level** and choose your desired level.

If your external audio source has a volume control you may also need to adjust that.

### Line in input levels

-3dB (devices with unusually high output)

+0dB (devices with standard 2.1Vrms line level output)

+6dB (default)

+12dB (eg smartphones with high headphone output)

+18dB (eg smartphones with standard headphone output)

+24dB (eg smartphones with low headphone output)

### Phono input levels

These are designed to work with the most common moving magnet (MM) cartridges, please check the specification of your cartridge and select the most appropriate setting.

-3dB (6-8mV)

+0dB (4-6mV)

+3dB (3-4mV)

+6dB (2-3mV)

---

For best audio performance, we recommend you balance the volume level of external devices by adjusting input levels

---

## Ground loops

(Eliminating hum and buzz)

In some circumstances, you may hear hum or buzz when connecting an external audio source via Line in or Phono input, for example playing from an external mains powered device or one powered from the USB socket on your R7.

Unfortunately, this is a relatively common problem that is not always simple to fix. However, your R7 includes two features that should help with this issue.

### Swap between Line in 1 and Line in 2

Line in 2 is ground isolated and Line in 1 is not, so you may find that one input is quieter than the other.

### Use the grounding terminal on the back panel

If this doesn't work or you are using the Phono input, try linking the ground from your external device to the grounding terminal on the back of your R7.

For more information visit [www.ruarkaudio.com/support](http://www.ruarkaudio.com/support)

---

### IMPORTANT

**Please remove mains cable from your R7 before connecting to its ground terminal. If you are unsure how to connect the ground of your external device to the R7, please seek advice!**

---

## Multi-room

This device is fully compatible with Ruark Audio multi-room and enables you to stream music seamlessly from one room to another.

To start with, you have to create a group of up to 6 devices that will all play the same synchronised audio. Once you have created a group, other devices can be added to it.

To create a group select **MENU > Multi-room > Create new group**, enter a name for the group and select OK. From the list of other compatible devices found on your network, select up to 5 devices to join the group and then press **MENU** to confirm your selection and exit. All devices in the group will now play synchronised audio.

To add devices to the current group, select **MENU > Multi-room > Add to group**

To remove other devices to the current group, select **MENU > Multi-room > Remove from group**

To remove the current device from the group select **MENU > Multi-room > Leave group**

To delete the current group select **MENU > Multi-room > Dissolve group**. The group is dissolved and multi-room playback will stop.

You can also setup and control multi-room playback using the Ruark Audio Link app.

For more information visit [www.ruarkaudio.com/support](http://www.ruarkaudio.com/support)

## App control

You can also control your R7 and set up multi-room playback using the Ruark Audio Link app. Find it on the Apple/Android app store.

For more information visit [www.ruarkaudio.com/support](http://www.ruarkaudio.com/support)

### App access PIN

Set up a PIN to restrict access to your R7 so only authorised users can control it from the Ruark Audio Link app.

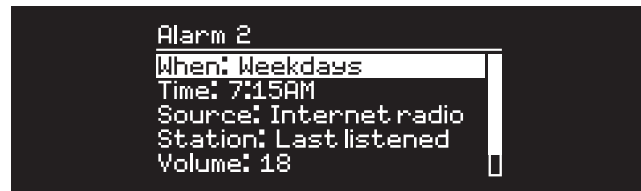
**MENU > System > Network > App access PIN.**

## Alarms, snooze and sleep

### Setting an alarm

An active alarm is indicated by the alarm icon and when it sounds, the icon flashes.

Select **MENU > System > Date and time > Alarms** and choose alarm 1 or alarm 2 using the **CONTROL KNOB**.



Choose when the alarm will sound (off, daily, once, weekends or weekdays), set the time and then choose to have the alarm

play a radio station, CD or sound a tone and choose the volume. Finally, select save to save the alarm and exit the set up menu.

NOTE: it is not possible to use a Bluetooth source, USB or network music server for the alarm.

### Snooze

Press the **CONTROL KNOB** to temporarily silence a sounding alarm, press it again to increase the snooze period (5, 10, 15 or 30 minutes).

To cancel an alarm that is sounding or in snooze mode, press and hold the **CONTROL KNOB** for two seconds.

### Sleep timer

To set the time after which your R7 will automatically switch to standby, select **MENU > System > Date and time > Sleep**.

Choose the delay in minutes (Off, 15, 30, 45, 60) and finally press the knob to confirm your selection. The display then dims to standby brightness, returns to the Now-playing screen and displays the sleep icon.

# Specifications

## Amplifiers and drivers

2 × 5.5" dual concentric drivers  
1 × 8" long-throw subwoofer  
180W discrete Class AB power amplifier  
Integrated MM phono preamplifier  
Enhanced digital 3D audio processor

## Tuner

DAB, DAB+ and FM Tuner with RDS  
75 Ohm F-type DAB/FM aerial input

## CD player

CD, CD-ROM, CD-R/RW disks  
MP3, WMA up to 320 kbit/s

## Digital audio

Audiophile 32-bit 112dB audio stereo DAC  
Internet radio, Spotify Connect, UPnP™ DLNA  
802.11b/g Wi-Fi supports WEP, WPA & WPA2 security  
MP3, WMA, AAC, FLAC, WAV  
SBC, AAC, A2DP, aptX, aptX HD Bluetooth

## Inputs and outputs

1 × MM phono input (RCA)  
2 × Digital optical (TOSLINK)  
2 × Line inputs (RCA)  
1 × Line line out (RCA)  
1 × Ethernet (RJ45)  
5W (5V 1A) USB  
3.5mm stereo jack headphone output

## Power

Mains input: 100-120/200-240 VAC 50 – 60Hz  
Fuse: 250V T 6.3A  
Nominal consumption: 25W  
Standby consumption: 1.0W

## Physical

Dimensions without legs:  
H165 mm × W1000 mm × D400 mm  
(H6.5" × W39.4" × D15.7")  
Weight (with legs): 27.8 kg (61.3 lbs)

Specification and design subject to modification without notice.  
Digital Tick certification obtained using the supplied wire dipole aerial.

# Safety and regulatory information

- Read this user guide and follow all instructions, it will help you set up and operate your product properly.
- Heed all warnings and keep this user guide for future reference.
- Do not attempt to use a damaged device as this could result in a dangerous electric shock.
- Do not open the unit or remove any panels to expose the electronics. No user serviceable parts inside.
- Refer all servicing to qualified service personnel. Servicing is required when the device has been damaged in any way, such as power-supply cord or plug is damaged, liquid has been spilled or objects have fallen into the device, the device has been exposed to rain or moisture, does not operate normally, or has been dropped.
- This device is intended to be operated ONLY from the AC voltages listed on the back panel or included power supply. Operation from voltages other than those indicated may cause irreversible damage to the device and void the product warranty.
- Ensure that the mains plug or mains connector into the unit is readily accessible in case disconnection from the mains is required.
- The mains adapter, mains plug or mains connector must be removed from the socket to completely disconnect the system from mains power.
- Do not place any naked flame sources, such as lighted candles, on or near the device. Do not install near any heat sources such as radiators, stoves, or other devices (including amplifiers) that produce heat.
- Avoid exposure to extreme heat or cold.
- Only use attachments/accessories specified for this device. Make no modifications to the system or accessories. Unauthorised alterations may compromise safety, regulatory compliance, and system performance.
- Only use the supplied aerial or an approved replacement.
- To reduce the risk of fire or electrical shock, do not expose the device to rain or moisture. Do not expose this device to dripping or splashing, and do not place objects filled with liquids, such as vases, on or near the device. As with any electronic products, use care not to spill liquids into any part of the system. Liquids can cause a failure and/or a fire hazard.
- Unplug this device during lightning storms or when unused for long periods of time to prevent damage to this device.
- To prevent risk of fire or electric shock, avoid overloading wall outlets, extension cords, or integral convenience receptacles.
- Long-term exposure to loud music may cause hearing damage. It is best to avoid extreme volume when using headphones, especially for extended periods.
- Do not install this device in a confined space. Always leave a space of at least 10cm around the device for ventilation and ensure that curtains or other objects never cover ventilation openings on the device.



**LITHIUM COIN CELL SAFETY NOTICE.** The remote control contains a lithium coin cell battery which if ingested, may cause chemical burns. Keep new and used batteries out of reach of small children. If you think batteries may have been ingested, seek immediate medical attention. Do not handle leaking or damaged batteries. Danger of explosion if battery is incorrectly replaced. Replace only with the same or equivalent type.



This device is labelled in accordance with European Directive 2012/19/EU concerning waste electrical and electronic equipment. This symbol indicates that the product or associated batteries should not be disposed of as general household waste. As with any electrical equipment, please dispose of it according to local regulations.



#### CE COMPLIANCE INFORMATION

This product conforms to all EU Directive requirements as applicable by law. You may obtain a free copy of the Declaration of Conformity by contacting your dealer, distributor, or Ruark Audio.

Hereby, Ruark Audio, declares that this device complies with the essential requirements and other relevant provisions of the European Radio Equipment Directive 2014/53/EU.

You can download the full CE Declaration of Conformity at [www.ruarkaudio.com/doc/R7mk3doc.pdf](http://www.ruarkaudio.com/doc/R7mk3doc.pdf)

## Troubleshooting

For help with your product, please refer to the FAQ (Frequently Asked Questions) page in the support area of our website.

For more information visit [www.ruarkaudio.com/support](http://www.ruarkaudio.com/support)

## Guarantee information

We guarantee this product to be free from defects for a period of two years from date of purchase, providing due care and attention has been paid. Product failure through accidental damage (however caused), excessive wear and tear, negligence or unauthorised modification will void your guarantee.

Should you experience a problem please contact us via our website [www.ruarkaudio.com](http://www.ruarkaudio.com) or by calling directly on 01702 601410 where we will advise the course of action. If your product needs to be returned it should be packaged in its original packing along with proof of purchase. If it is not possible to return the product by hand, then it should be sent carriage prepaid by a reputable parcel carrier. If the original packing is not available, replacement packing can be purchased from us.

## Guarantee for overseas sales

The distributor in the country of purchase guarantees products purchased outside the UK. For details, please contact your local Ruark distributor or outlet.

**THIS GUARANTEE IN NO WAY VARIES OR REMOVES THE PURCHASER'S STATUTORY RIGHTS. E&OE**

# ruarkaudio

59 Tailors Court, Temple Farm Industrial Estate,  
Southend on Sea, Essex, SS2 5TH, UK  
+44 (0) 1702 601 410 [www.ruarkaudio.com](http://www.ruarkaudio.com)

## General care

Clean with a soft, lint-free duster or slightly dampened cloth. Do not use wax sprays or other substances as these may damage the surface finish or impair performance.

Do not expose your unit to direct sunlight, high humidity, dust, excessive vibration or extreme temperatures, all of which can affect the finish, performance and reliability of the unit.

Recommended operating temperature range is 5°C to 40°C.

Natural wood finish cabinets will vary and lighten or darken with age, particularly when exposed to sunlight.

## Copyright and trademarks

© 2018 Ruark Audio. All rights reserved. Ruark Audio, the Ruark Audio logo, and other Ruark Audio marks are owned by Ruark Audio and may be registered. All other trademarks are the property of their respective owners. Ruark Audio assumes no responsibility for any errors that may appear in this manual and the information contained in it may change without notice.

Bluetooth® and associated logos are registered trademarks owned by Bluetooth SIG, Inc.

Qualcomm aptX and aptX HD are products of Qualcomm Technologies International, Ltd.

The Spotify software is subject to third party licenses found here: [www.spotify.com/connect/third-party-licenses](http://www.spotify.com/connect/third-party-licenses)

All other trademarks are the property of their respective owners.

Designed in  
Great Britain



20180110.1