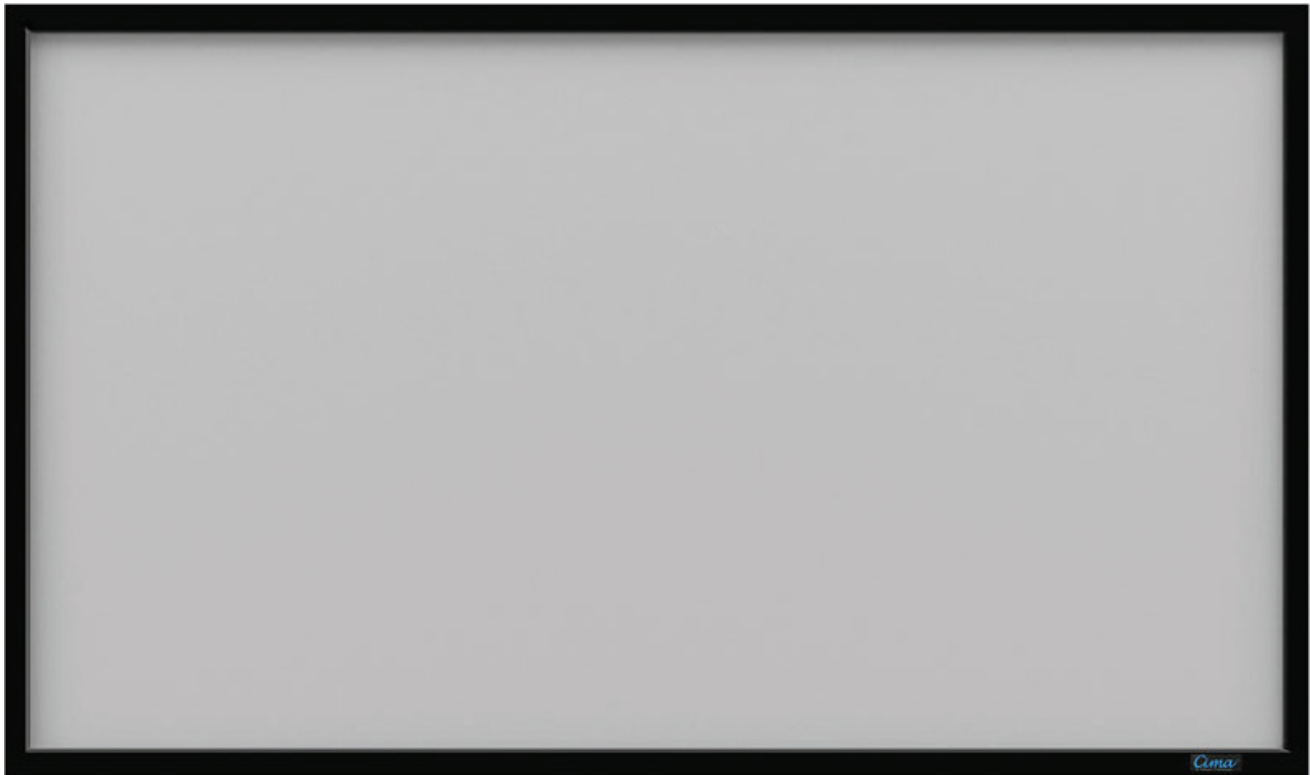


Cima FF

Fixed Frame, Snap Screen



Cima
by Stewart Filmscreen

Stewart
FILMSCREEN

Producers of Professional Projection Screens

Printed in U.S.A. ©2019 Stewart Filmscreen Corporation

Stewart Filmscreen reserves the right to make changes to the product specified in this document. Sizes and specifications subject to change without notice at Manufacturer's discretion. From time to time, this document is updated. Current versions of documentation are posted on the Stewart Filmscreen website at:

www.stewartfilmscreen.com

Cima FF

OWNERS MANUAL

Contents

To the Owner4
Preparing the Installation5
Assembling the Frame6
Mounting the Frame.	7-8
Attaching the Screen to the Frame	9-10
Caring for & Cleaning the Screen11
Maintenance Notes	12-13
Product Warranty	14

TO THE OWNER

Congratulations on your purchase of one of our highly versatile Cima projection screens, representing “Top of the Class” in standard commercial and residential projection screens. Please take a moment to review this manual as it will help ensure you many years of trouble-free service from your new Cima by Stewart Filmscreen product.

ABOUT THE CIMA FIXED FRAME SCREEN

Designed and manufactured in the USA by Stewart’s award winning team, your Cima Fixed Frame screen supports a majority of projection applications. The utilitarian design and features of this product address the needs of most common residential and commercial 2-piece projection applications without compromising the superior performance, quality and durability you have come to expect from Stewart.

The Cima Fixed Frame acts as a projection overscan border and the VeLux™ finish is designed to absorb any overscanning.

- ▶ Its angled corners and beveled edge bring the image area closer to the frame.
- ▶ The frame features snaps that move on the frame to allow for adjustments.
- ▶ The standard mount is a wall mount.

USING THIS MANUAL FOR INSTALLATION

The Cima Fixed Frame Screen is designed for ease of installation. There are no user-servicable parts contained within the unit.

PREPARING THE INSTALLATION

Before proceeding with the installation of this screen, take time to thoroughly read and understand these installation instructions.

PREPARATION

Specifications regarding the individual screen dimensions, weight, etc. are provided by the factory when the unit is ordered.

Before beginning the installation:

- ▶ Make sure there is a clean surface on which to unroll the screen and assemble the frame.
- ▶ Check the size and weight of the screen to be installed so that you can plan for the number of people required for installation. You need at least two people to mount the smaller screens; more are needed for larger, heavier screens.

You will need:

- ▶ Lint-free, clean cloth gloves for handling the screen
- ▶ Ladders for the personnel supporting the screen during the mounting process
- ▶ A level
- ▶ Fasteners appropriate for the surface on which the screen is being mounted
- ▶ A drill
- ▶ Tools for tightening fasteners

Note: Bolts and other fasteners for the screen are standard gauge and sizes used in the U.S., regardless of where they will be installed. For this reason, the sizes are expressed in inches rather than metric measurements.

UNPACKING

Be sure to unpack carefully in a clean area. Use special care when handling the screen so that it does not become soiled or damaged. If you plan to repack your screen and hardware for transportation to another location, you may wish to photograph or make a note of how it was packed. Keep the packing material.

CAUTION

Do not stand on the screen tube or store it on its end. This will cause screen damage. If you are not going to install the screen immediately, make sure it remains horizontal during storage.

ASSEMBLING THE FRAME

Be sure to work in a clean area that will not damage the frame.

1. Connect the frame members by matching the labels on the ends of each member. See Figure 1.
2. Secure frame sections with the supplied bolts and allen wrench.

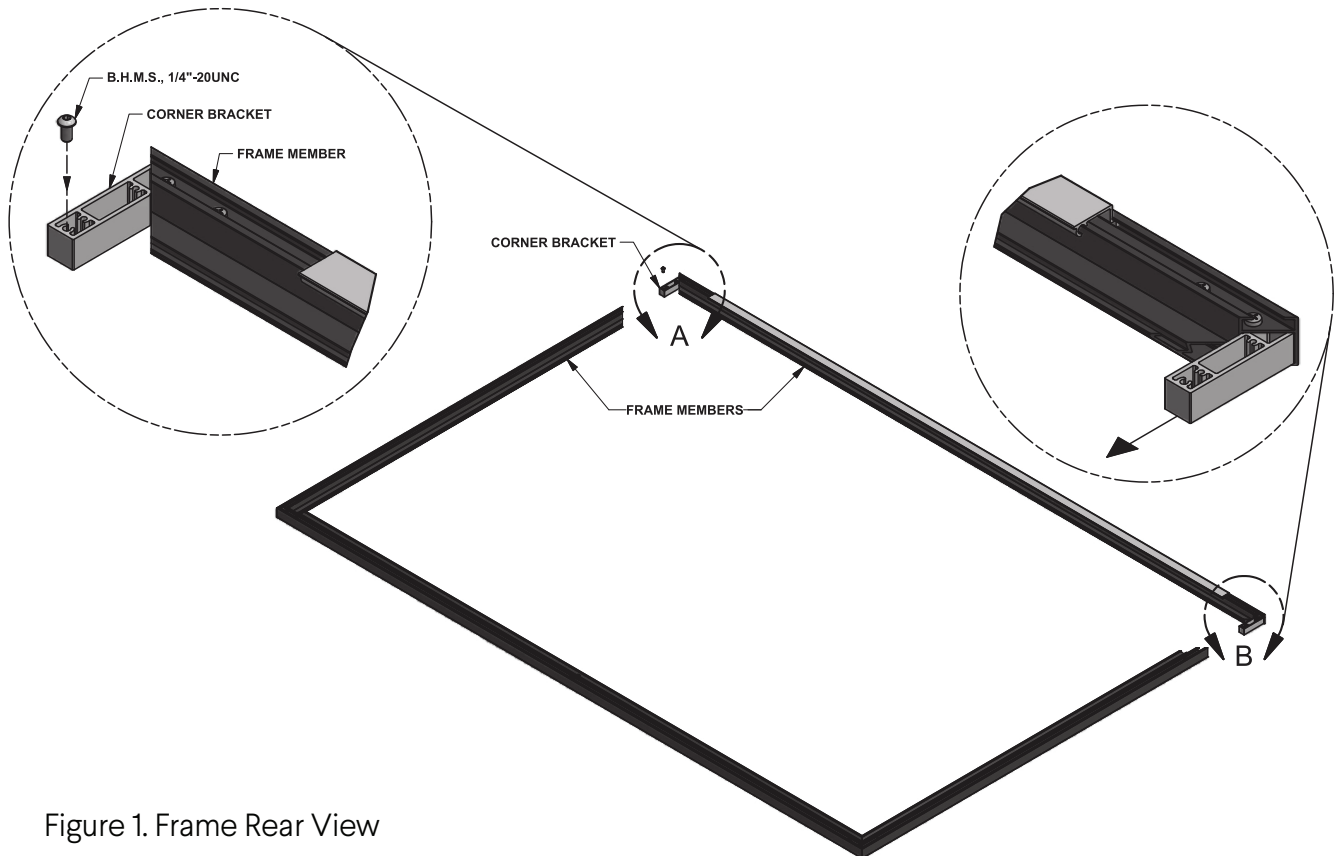


Figure 1. Frame Rear View

MOUNTING THE FRAME

Professional mounting techniques should be used. Stewart Filmscreen can not be liable for substandard or faulty installations.

To accurately position the frame, you will mount the hanging bar and temporarily hang the frame prior to attaching the screen material. On the bottom of the frame, there are magnets you can slide to line up with steel pucks you will align with wall studs. If the wall is not perfectly flat, the force of the magnet may cause the frame to bend. For this reason, shims can be placed between the wall and the steel pucks so that the frame lays completely flat. The screen should not be attached to the frame at this point. Refer to figures 2-5 on page 8.

1. Identify the location of wall studs where you can securely mount the hanging bar.
2. Use a level to accurately position the hanging bar on the wall.
3. Drill holes through the bar into the studs.
4. Use the provided screws or other appropriate fasteners to secure the hanging bar to the wall studs.

Note: A minimum of three (3) screws are recommended to safely secure the frame.

5. Check to make sure the bar is level.
6. Assemble the frame (see page 6).
7. Hang the assembled frame, without the screen attached, on the hanging bar to ensure that it is correctly mounted.
8. Mark on the wall where you will mount the steel pucks that will align with the magnets fastened on the frame.
9. Remove the frame. Drill into the studs and mount the steel pucks with the provided screws or other appropriate fasteners. Use shims as needed.
10. Reposition the frame, slide and secure the magnets so that they align with the steel pucks mounted on the wall.

Note: Find studs that allow the pucks and magnets to be positioned approximately 12” to 24” from the edge of the frame on each side.

11. Remove the frame and follow the steps for attaching the screen to the frame (see pages 9-10).
12. Your Fixed Frame is now ready to hang in its final position. See figures 2-5 on page 8.

MOUNTING THE FRAME (CONTINUED)

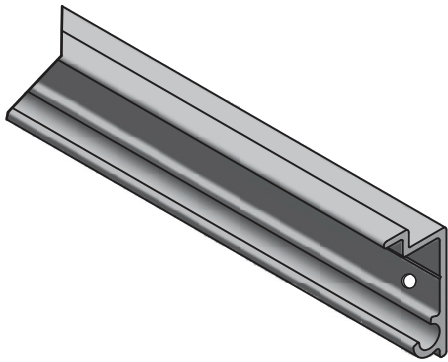


Figure 2: Hanging Bar Front View

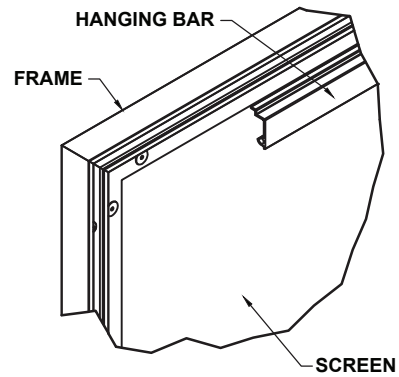


Figure 3: Wall Mount Rear View

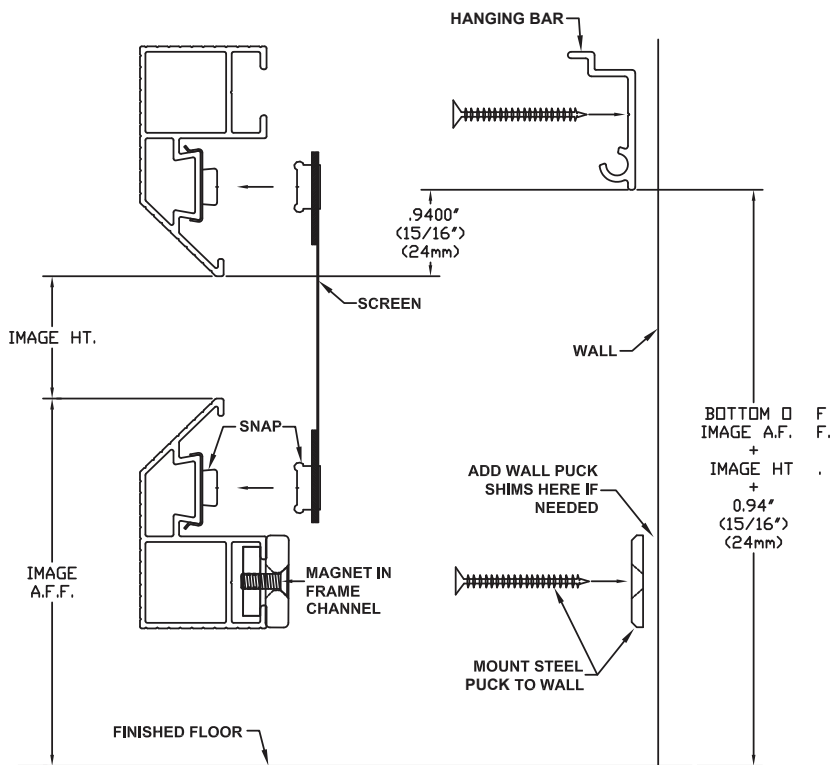


Figure 4: Components for Wall Mounting - Side View

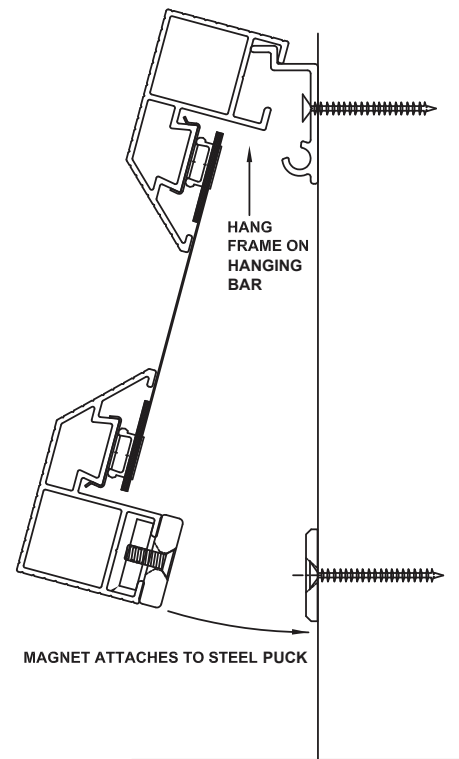


Figure 5: Hanging the Screen - Side View

ATTACHING THE SCREEN TO THE FRAME

DO NOT perform this step UNTIL instructed to do so in the mounting section.

⚠ CAUTION

- ▶ Be careful not to touch or scratch the image surface with fingernails.
- ▶ Do not use any tools to fasten the screen to the frame.
- ▶ Do not fold or crease the screen.

UNPACKING AND UNROLLING THE SCREEN

The viewing side of the projection screen is rolled to the inside to protect the optical coating. The screen is rolled lengthwise.

1. Remove the screen from the cardboard shipping tube.
2. On a clean surface, unroll the screen viewing side up.
3. Remove the protective foam from the screen material.

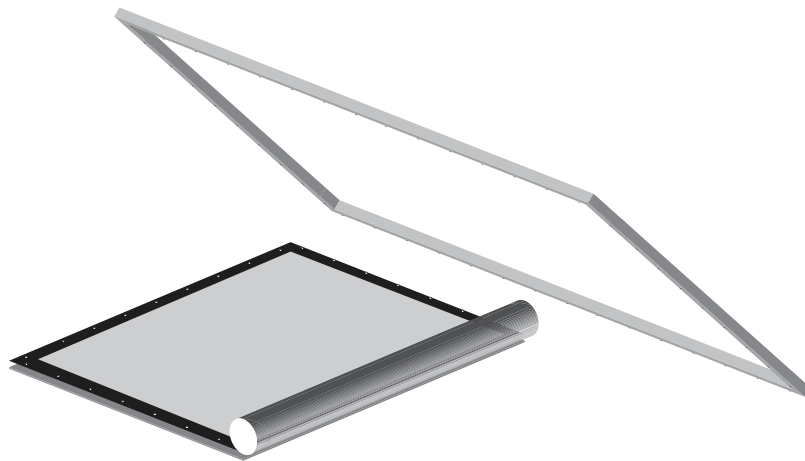


Figure 6: Unrolling the Screen

ATTACHING THE SCREEN TO THE FRAME (CONTINUED)

ATTACHING THE SCREEN TO THE FRAME

1. Place the frame over the screen (snap side down).
2. Starting with the snaps on the top corners and then horizontally along the top, while lifting the frame with one hand, snap the screen into the frame. Gently allow the screen to stretch onto the snaps. Do not jerk, wrinkle or crease the screen material, as it can be damaged. Refer to Figure 7.
3. Lift the frame to a vertical position to finish attaching the sides and bottom rows of the snaps. Refer to Figure 8.

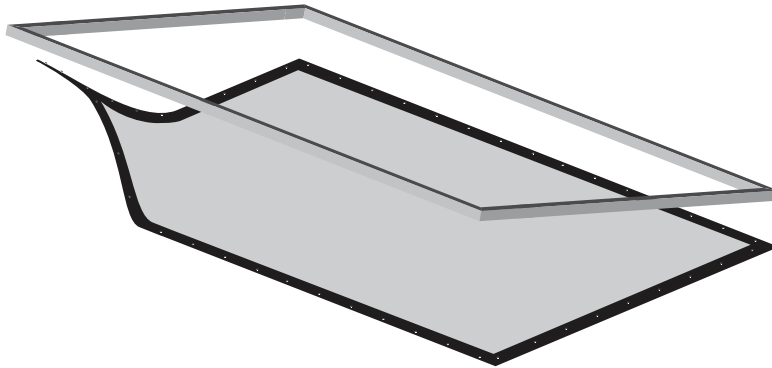


Figure 7: Attaching Top Corner Snaps

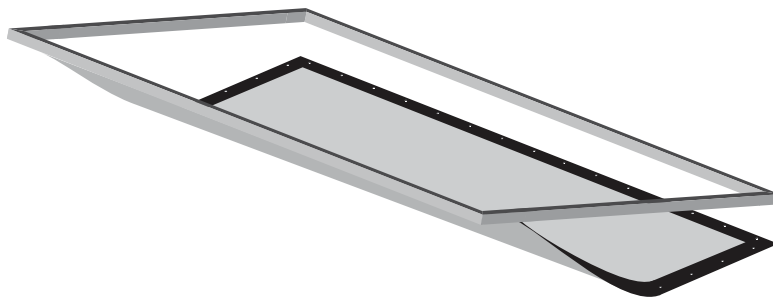


Figure 8: Attaching Remaining Snaps

CARING FOR AND CLEANING THE SCREEN

With reasonable care, you may expect many years of dependable use of your Stewart projection screen.

GENERAL MAINTENANCE

The surface of your screen is delicate, so we encourage you to keep your screen clean. Special attention to these instructions should be followed when cleaning.

- ▶ Avoid getting any foreign objects on the screen, as cleaning may prove very difficult. It may not be possible to remove scratches, paint, ink, etc.
- ▶ A draftsman-style brush may be used to lightly whisk away any loose dirt or dust particles. (This type of brush is usually available at office supply stores.) Stewart Filmscreen has an optional screen cleaning kit that contains the proper type of brush. Contact your dealer if you would like to obtain this cleaning kit.
- ▶ For tougher spots, you can make a cleaning solution using a water-based detergent and warm water. To make the solution, mix one part Simple Green, 409, or other water based industrial cleaner with three parts warm water. Moisten a clean cotton cloth or Q-Tip with this solution, moisten the stained area, and gently lift off the stain. Never use an aggressive scrubbing action as you could damage the screen surface by removing the optical coating. Remoisten the area with clean water and dab dry with a clean sponge or cotton cloth. Any residual watermarks will evaporate on their own in a few minutes.
- ▶ Contact the factory if you have questions about removing difficult spots.

⚠ CAUTION

- ▶ Do not use any other cleaning materials on the screen.
- ▶ Do not use chemicals or solvents to clean the screen. Use only commercially available, water-based de-greaser.
- ▶ Do not use chemicals, solvents, or liquid cleaners to clean the VeLux covering.
- ▶ Do not fold or crease the screen.

VELUX™ COVERING

- ▶ Use a lint roller to remove particles from the VeLux, which is the velvet material covering the frame.
- ▶ A brush may be used to comb (lift) the nap of the VeLux material to help eliminate depression marks.

REPLACEMENT PARTS & SERVICE

No user-serviceable parts are contained within the unit. Contact your dealer or the factory if you require part replacement or service.

LIMITED ONE YEAR WARRANTY

STEWART FILMSCREEN CORPORATION (Stewart) warrants all products to the original purchaser only. Stewart products are guaranteed to be free from defects in materials and workmanship for a period of one (1) year from the date of purchase by the original purchaser or eighteen (18) months from date of manufacture, as defined in the serial number. Additionally, all products must be properly operated and maintained according to Stewart instructions and cannot be damaged due to improper handling or treatment after shipment from the factory. This warranty does not apply to equipment showing evidence of misuse, abuse, or accidental damage, including neglect caused by improper installation (i.e. proximity to hot lights, exposure to extreme heat or cold, exposure to excessive humidity, etc.)

Stewart on-site warranty repair services are not available for this product. Stewart's sole obligation under this warranty shall be to repair or to replace (at Stewart's sole discretion) the defective part of the merchandise. This warranty expressly does not cover any costs of removal, installation, framing, or other costs incidental to replacing the screen or returning it to Stewart. Returns for service should be made to your Stewart dealer. If it is necessary for the dealer to return the screen or part to Stewart, transportation (freight) expenses to and from Stewart are payable by the purchaser. Stewart is not responsible for damage in shipment. To protect against damage or loss in transit, insure the product and prepay all transportation expenses.

This warranty is in lieu of all other warranties, expressed or implied, including warranties as to fitness for use or merchantability. Any implied warranties of fitness for use, or merchantability, that may be mandated by statute or rule of law are limited to the one (1) year warranty period. This warranty gives you specific legal rights, and you may also have other rights which vary from state to state. In no event will Stewart be liable for sums in excess of the purchase price of the product. No liability is assumed by Stewart for expenses or damages resulting from interruption in operation of equipment, or for incidental, direct, or consequential damages of any nature. In the event that there is a defect in materials or workmanship of a Stewart Filmscreen product, you may contact our Customer Service Department at 1161 W Sepulveda Blvd, Torrance, California 90502- 2797 (310-784-5300) Toll free (800-762-4999).

IMPORTANT: This warranty shall not be valid and Stewart shall not be bound by this warranty if the product is not operated and maintained in accordance with Stewart's written instructions. Stewart Filmscreen Corporation shall not be liable for any and all consequential damage(s) occasioned by the breach of any written or implied warranty pertaining to the sale of a Stewart Filmscreen product in excess of the purchase price of the product sold.



XXX



1161 W. Sepulveda Blvd., Torrance CA 90502 USA | 800.762.4999 | Tel: 310.784.5300 | Fax: 310.326.6870 | Email: request@stewartfilmscreen.com

©2019 Stewart Filmscreen. Specifications are subject to change without notice.