



BACKBOX IN-WALL LOUDSPEAKERS



РУКОВОДСТВО ПОЛЬЗОВАТЕЛЯ

Встраиваемые акустические системы

M&K Sound

IW300

IW150

IW950



The Choice of Professionals®



Congratulations!

Your new M&K speaker system will give you years of unmatched enjoyment and excitement while listening to your favorite music and audio/video sources.

We encourage you to read this owner's manual, as there is a great deal of information provided here to help you achieve the best possible performance from your new speakers.

If you have any questions about your speaker system, please contact your M&K dealer. Additional information may also be obtained on our web site: www.mksound.com.

Table of content

- Introduction 3
- Placement 3
- Left / Center / Right orientation 4
- Installation 5-6
- Connection 7
- Specifications 8-9

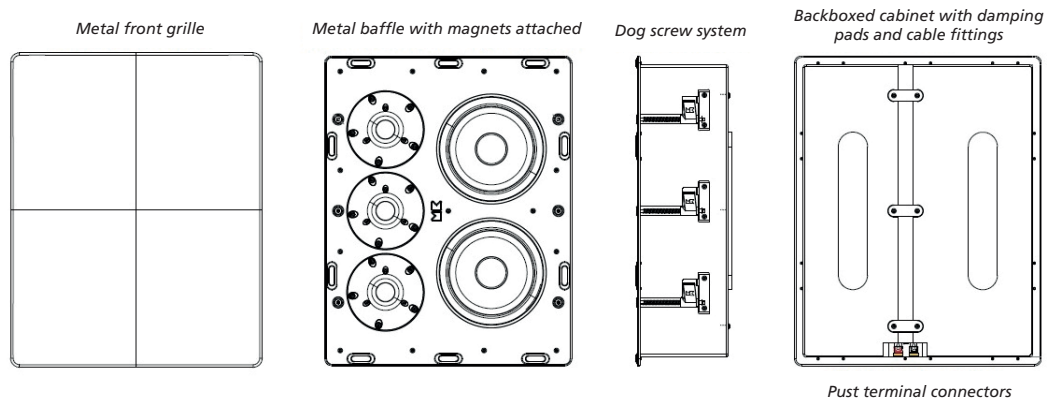
Serial Number:	
Date of Purchase:	
Dealer Name:	
Dealer Address:	
City/State/Zip:	
Country:	
Invoice Number:	

Introduction

M&K Sound backbox in-wall speaker systems are designed for easy installation. You are just a few easy steps away from enjoying the acclaimed M&K sound.

Accessories

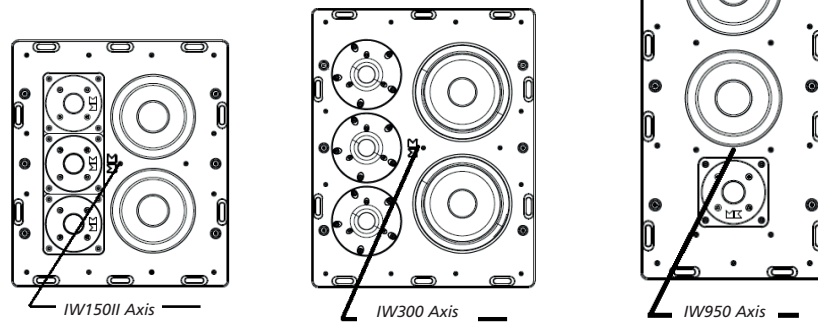
- Cut-out template integrated in packing for marking of wall position and cut-out dimensions
- Damping pads, cable fittings, and push terminal connectors for quick install
- Dog screw mounting system with self-locking clamps for solid attachment to wall
- Metal front grille and front baffle with integrated magnets for easy grille mounting



Placement

For placement of M&K Sound in wall speakers, please note the following basic recommendations for installation.

Defining correct placement height for M&K speakers in stereo or surround set-up is essential, beginning with finding the speaker's acoustic on axis point, marked between woofers and tweeters as shown below.



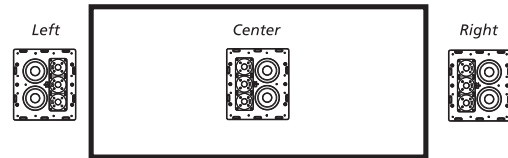
- For both stereo and surround front speakers the system's acoustic "on axis-point" should be approximately 10-15 cm above ear level – when sitting in listening position.
- For surround rear and side speakers the systems acoustic "on axis-point" should be approximately 70-90 cm above ear level – when sitting in listening position.
- Every new M&K Sound In-Wall speaker is designed to be as universal as possible, whether used in In-Wall and/ or In-Ceiling applications. The range is fully compatible with all current and future sound formats, including Dolby Atmos, DTS X and Auro. For specific directions of any speaker placement, we recommend to study the individual formats own instruction manuals.

Left / Center / Right Orientation

In a typical front speaker configuration, the M&K models are recommended to be used as shown below.

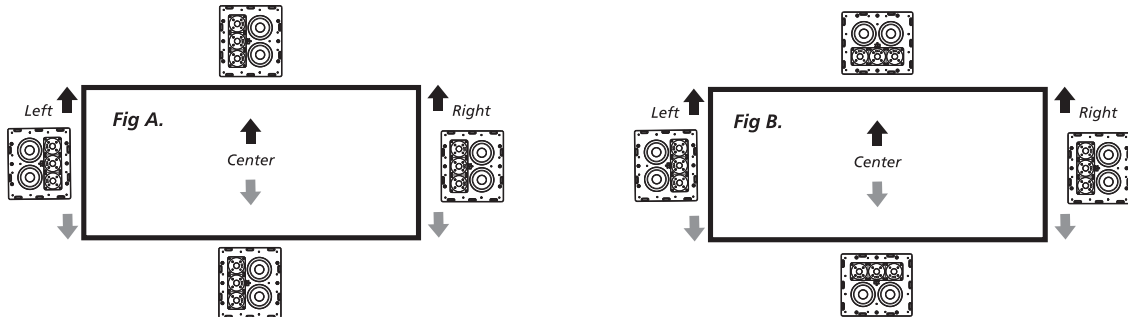
IW300 and IW150

Using IW300 and IW150 with acoustically transparent screen, it is recommended to position left and right speakers with tweeters pointing inward towards the screen and place center speaker in vertical position behind the screen.



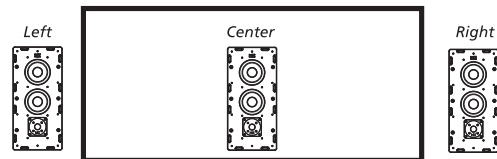
When using IW300 and IW150 with a non-transparent screen, the center channel can be placed above or below the screen, while the Left and Right speakers may be moved up or down, to approach the vertical placed center channel position. (Fig A)

If the center channel is placed horizontally, place the tweeters closest to the screen. (Fig B)

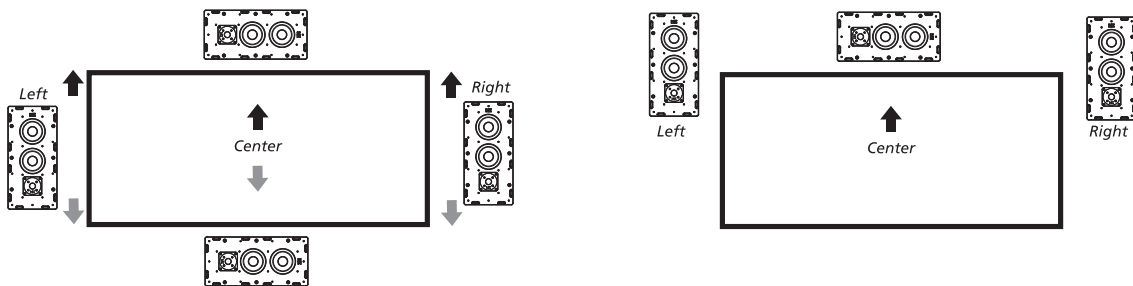


IW950

When using IW950 with a transparent screen, placement on a center line with tweeters aimed downward at the listening position is recommended.



When using IW950 with a non-transparent screen, the center channel can be placed horizontally above or below the screen, while the Left and Right speakers may be moved up or down to approach the horizontally placed center channel position.



Stereo Orientation

The above recommendations are to be followed for any stereo application. A good formula when setting up a stereo system, is to have the same distance between left and right speaker to the listening position.

Speaker Installation

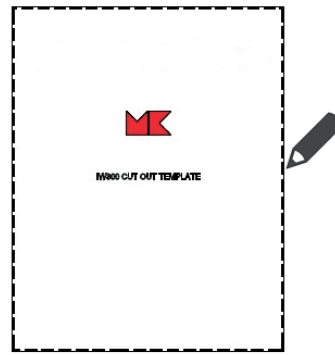
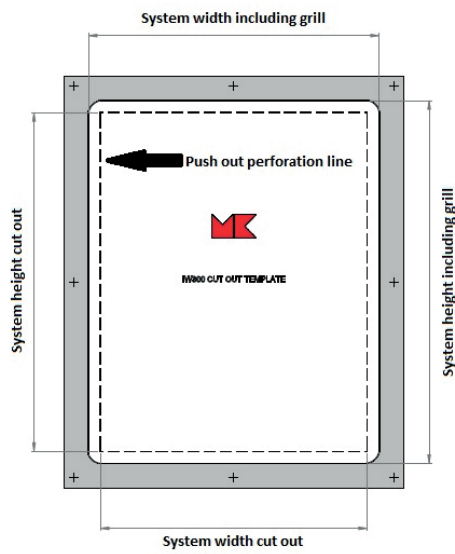
To support precise wall cut-out for M&K Sound backboxed speakers, use the template included in the carton.

The 2-piece carton template matches the speaker's outer dimensions, with a "push out" section is to be used for the actual cutting.

Following the instructions 1 - 8 will result in proper and easy installation of the speaker.

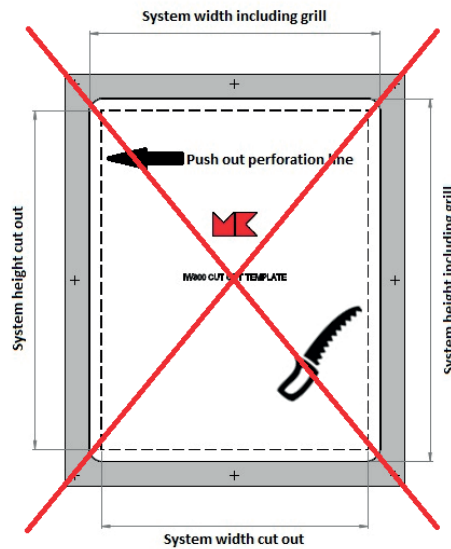
1. Use the overall carton template to visualize wall position for system, before pushing out the actual cutting template at the perforated lines.

2. Hold the "pushed out" cutting template at the wall to mark a line for the actual cut.

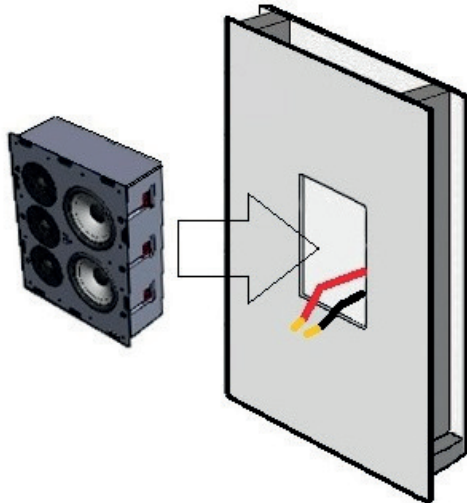


3. Cut to the inside of your marked line on the wall.

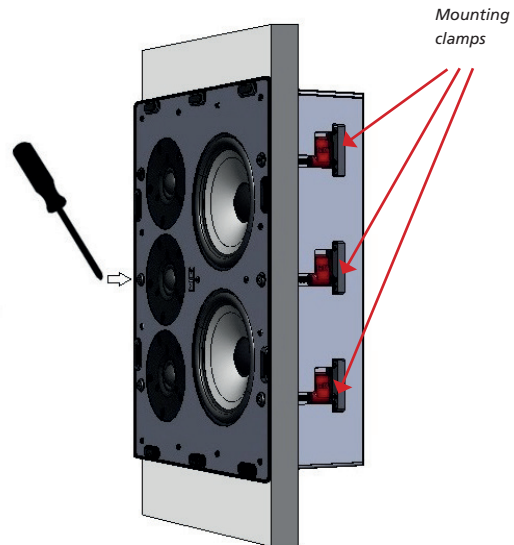
4. Cutting direct on the template is not recommended



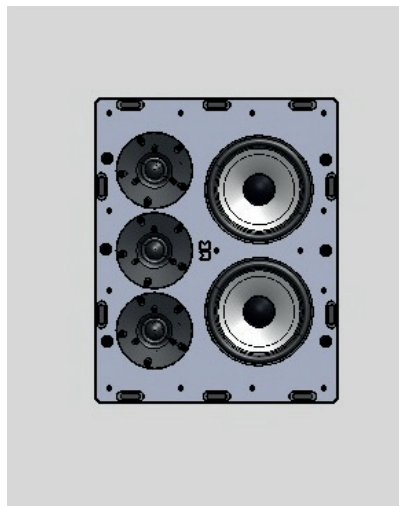
5. Connect the speaker to cables in the wall, and place cabinet into "the wall cut".



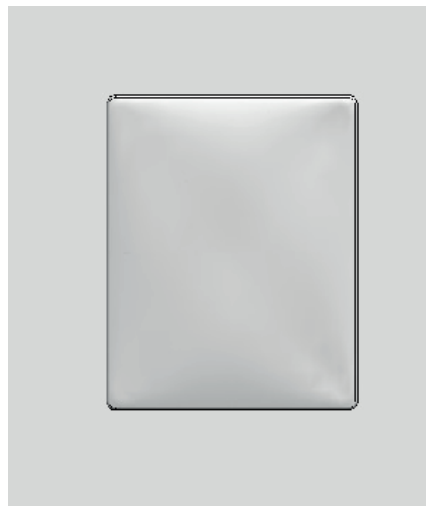
6. When speaker is placed into "the wall cut", turn the Torx screws on the front clockwise to activate the mounting clamps.



7. Check if speaker is perfectly aligned



8. Mount and align the grille, - and your installation is done!



Important Practical Information!

When using an electric tool for screw mounting, adjust the tension function to prevent the dog screws from being over-tightened. It is also recommended to use moderate or low speed when tightening the dog screws.

If removal of speaker is needed for service, make sure to loosen the front dog screws slowly until you can feel some resistance.

At this point, the mounting clamps should be turned back to neutral position and speakers are ready to be pulled out of the wall cut.

Speaker Connection

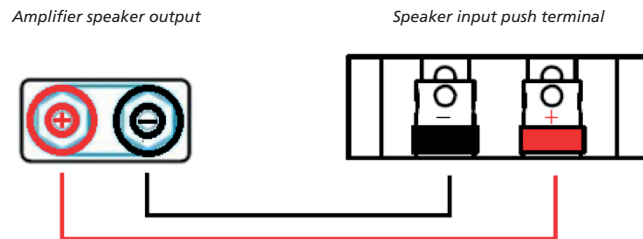
Use the solid push terminals for easy speaker wiring to amplifier for cables up to 5 mm / AWG 6.

In surround system setup, it is important to wire all speakers correctly for correct phase.

It is therefore recommended to use speaker cable with marked wires for + and – leads for an easy visual check of the connection.

**The Positive (+) lead
from your amplifier or receiver
should be connected
to the Red (+) INPUT terminal.**

**The negative (-) lead
from your amplifier or receiver
should be connected
to the Black (-) INPUT terminal.**



Note! All M&K Sound speakers are designed to be used with M&K's acclaimed subwoofers. We recommend to study www.mkssound.com for finding the best suitable subwoofer.

The Choice of Professionals®

The world's most eminent musicians, singers, producers, directors and engineers working in hundreds of film, music, broadcast and postproduction studios worldwide, choose M&K Sound loudspeakers. Every day they make hundreds of artistic decisions based upon what they hear on their speakers. The trust they have in M&K Sound allows them to work quickly and effectively as they create the most breathtaking film soundtracks and music ever recorded.

M&K Sound are used by the world's finest filmmakers, including:



Specifications

IW950 In-Wall Loudspeaker

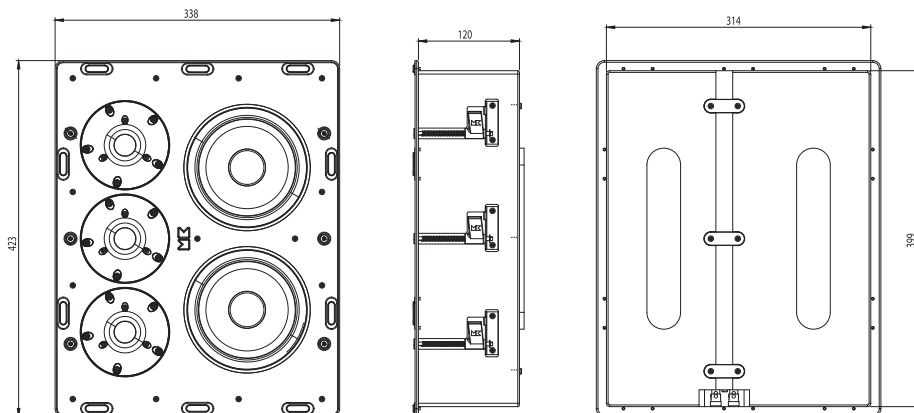
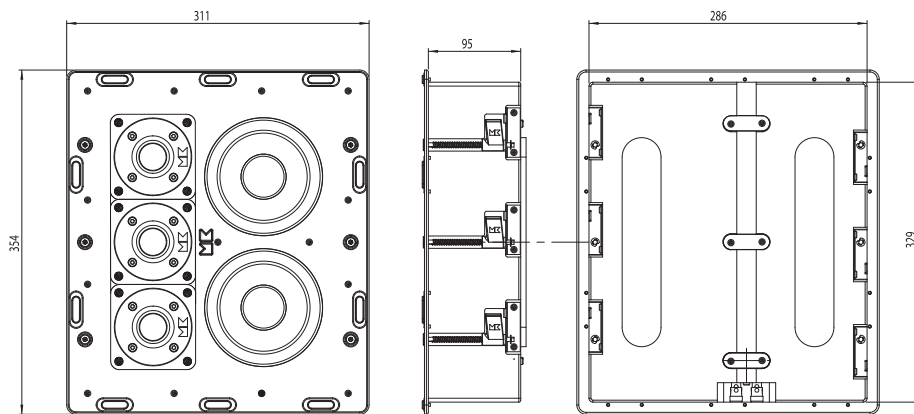
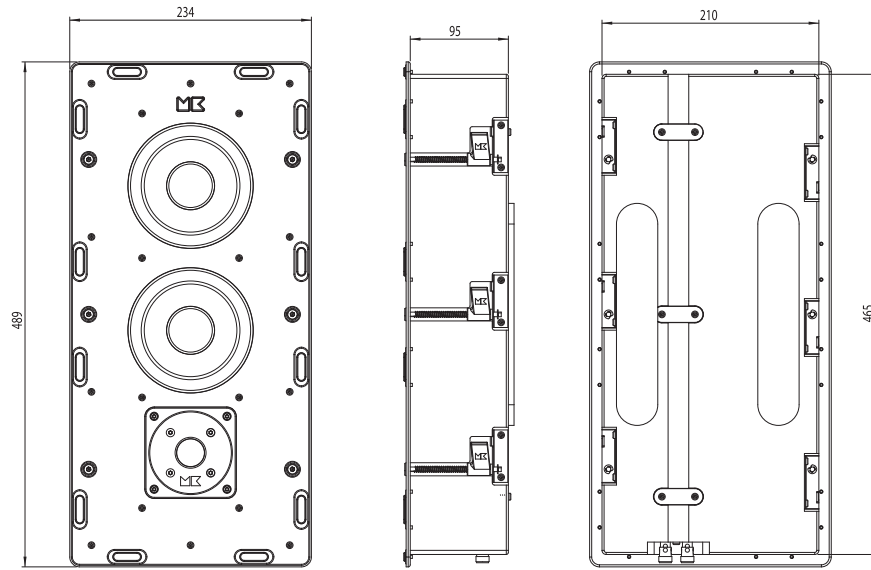
Impedance 4 Ohm
Recommended Amplifier Power 25 – 400W
Bass/Midrange 2 x 5.25" glassfibre
High Frequency Driver 1.1" soft fabric dome
Frequency Response 80 Hz – 20 kHz, ± 3 dB
Sensitivity 90 dB, 2.83V/1m
Grille Dimensions (HxW) . . 19.52 x 9.44", 496 x 240 mm
Baffle Dimensions (HxW) . . 19.25 x 9.21", 489 x 234 mm
Wall Cutout (HxW) 18.38 x 8.34", 467 x 212 mm
Mounting Depth 3.74", 95 mm
Weight 8 kg / 17,7 lbs.

IW150 In-Wall Loudspeaker

Impedance 4 Ohm
Recommended Amplifier Power 25 – 400W
Bass/Midrange 2 x 5.25" glassfibre
High Frequency Driver 3 x 1.1" soft fabric dome
Frequency Response 80 Hz – 20 kHz, ± 3 dB
Sensitivity 91 dB, 2.83V/1m
Grille Dimensions (HxW) . . 14.17 x 12.51", 360 x 318 mm
Baffle Dimensions (HxW) . . 13.93 x 12.24", 354 x 311 mm
Wall Cutout (HxW) 13.03 x 11.33", 331 x 288 mm
Mounting Depth 3.74", 95 mm
Weight 8,5 kg / 18,8 lbs.

IW300 In-Wall Loudspeaker

Impedance 4 Ohm
Recommended Amplifier Power 25 – 500W
Bass/Midrange 2 x 6.5" glassfibre
High Frequency Driver 3 x 1" soft fabric dome
Frequency Response 80 Hz – 22 kHz, ± 3 dB
Sensitivity 93 dB, 2.83V/1m
Grille Dimensions (HxW) . . 16.92 x 13.58", 430 x 345 mm
Baffle Dimensions (HxW) . . 16.65 x 13.30", 423 x 338 mm
Wall Cutout (HxW) 15.78 x 12.44", 401 x 316 mm
Mounting Depth 4.73", 120 mm
Weight 10 kg / 22 lbs.





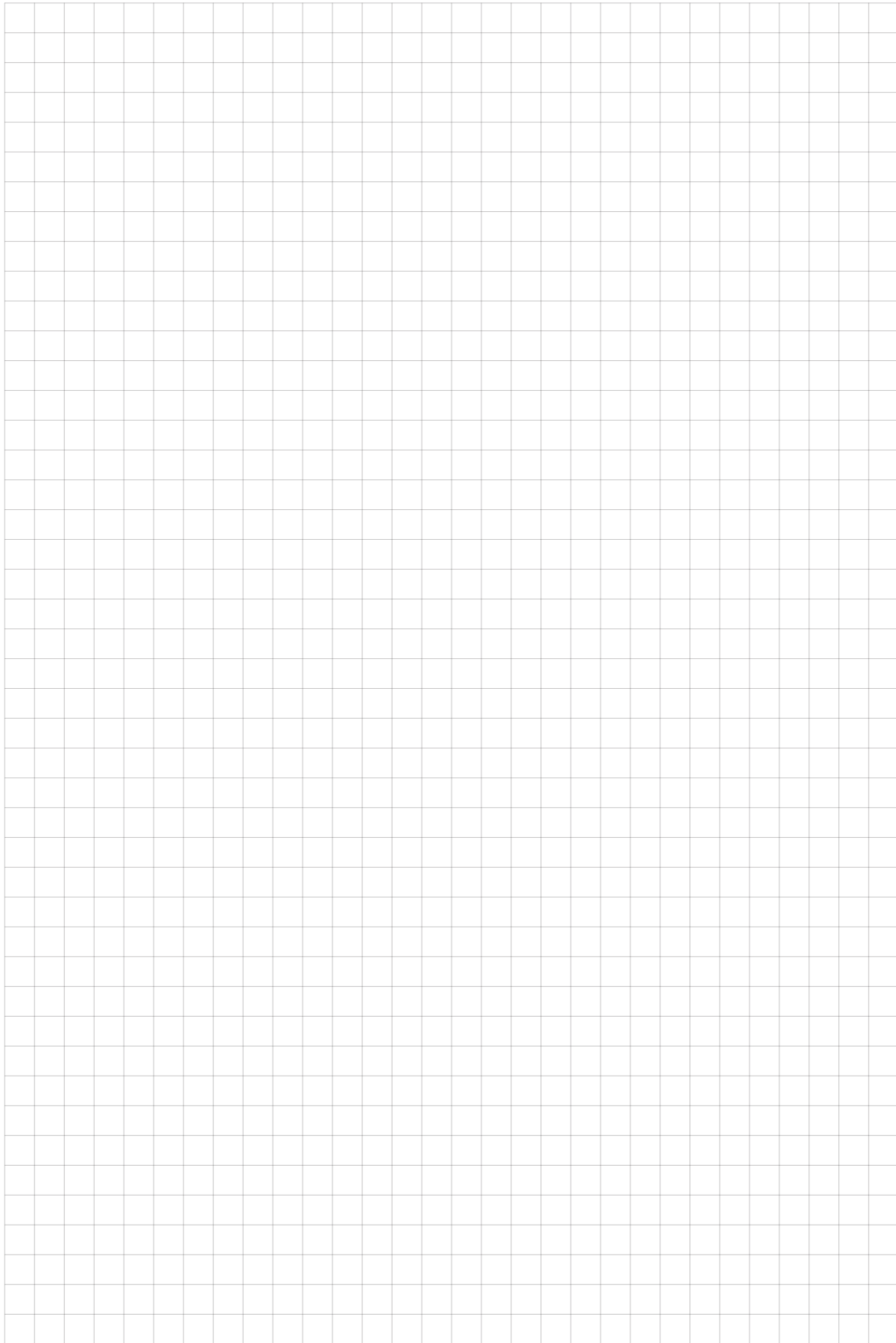
BACKBOX IN-WALL LOUDSPEAKERS



M&K Sound IW300 In-Wall Loudspeaker



BACKBOX IN-WALL LOUDSPEAKERS





M&K Sound · Denmark · www.mksound.com

The Choice of Professionals®

Ver. 2.1 - APRIL 2018